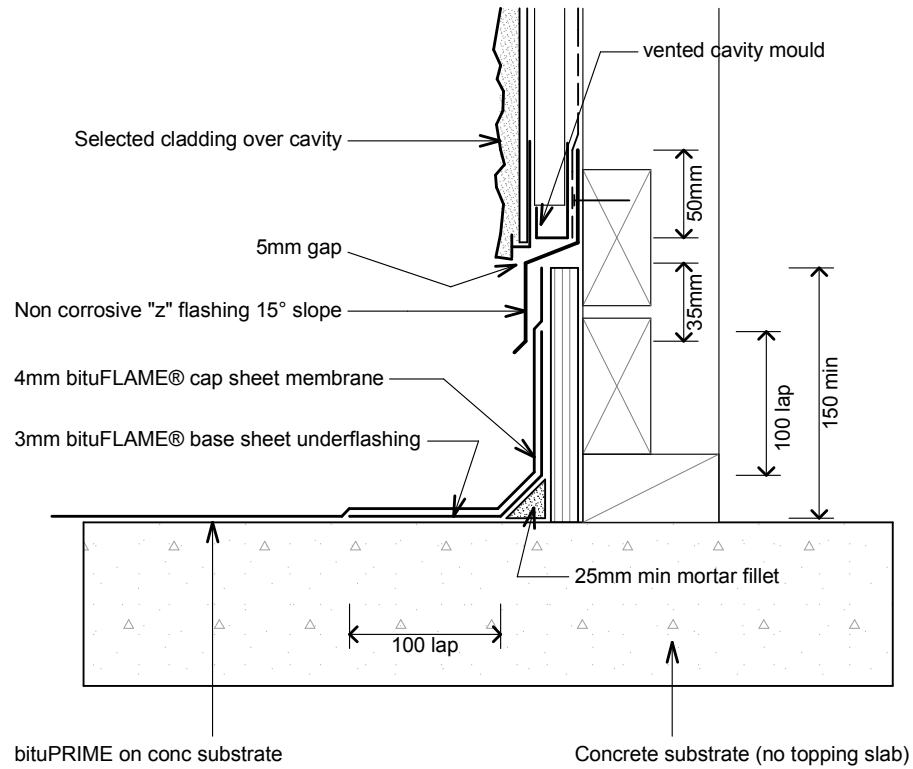


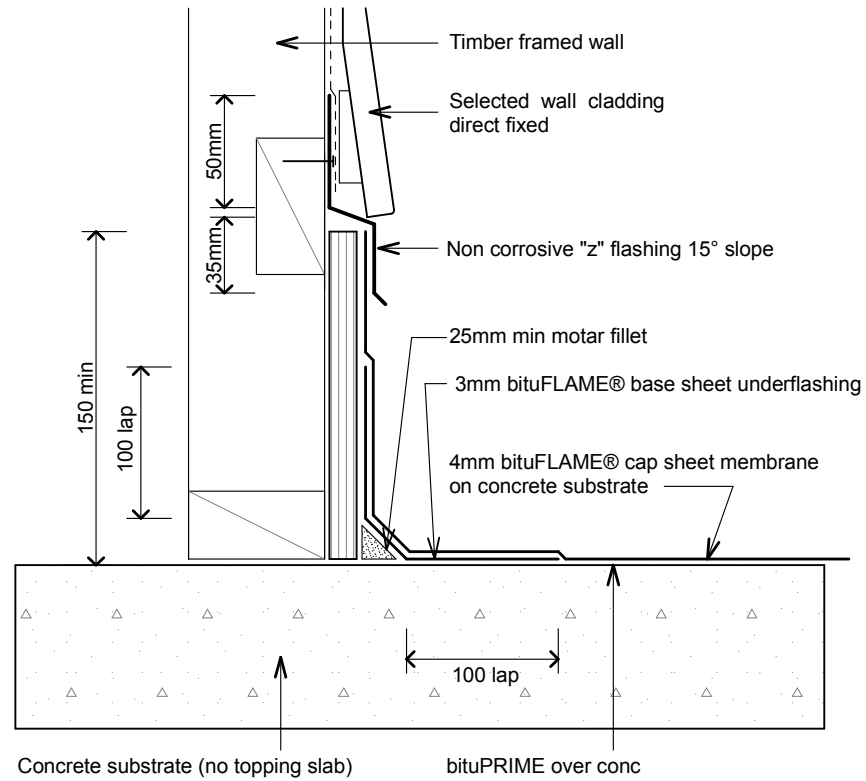
## bF-S01 - Gutter Parapet

REVISION: 10 Jun 2014



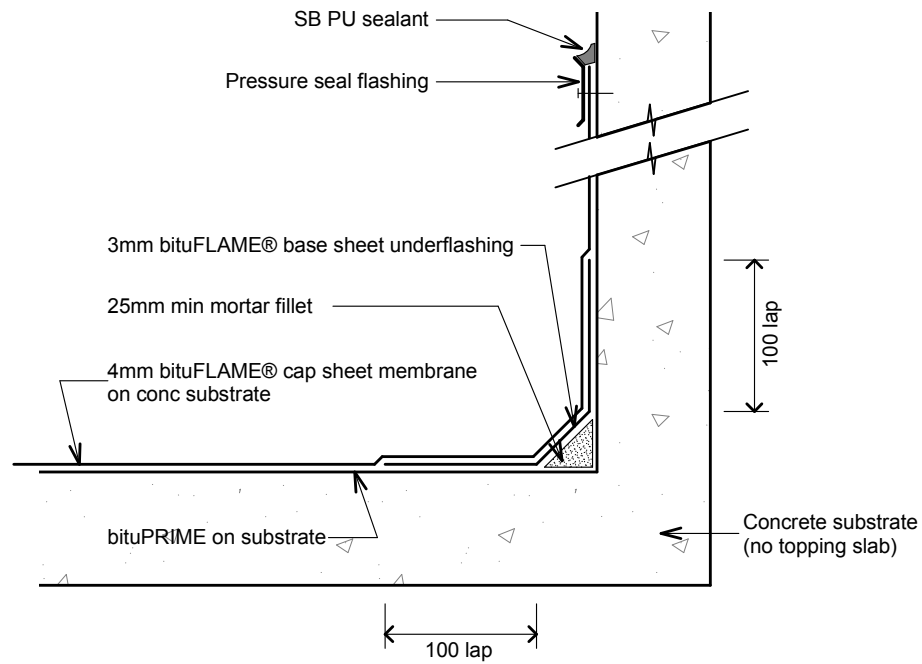
**bF-S03 - Gutter Wall Junction type 1 - cavity**

REVISION: 10 Jun 2014



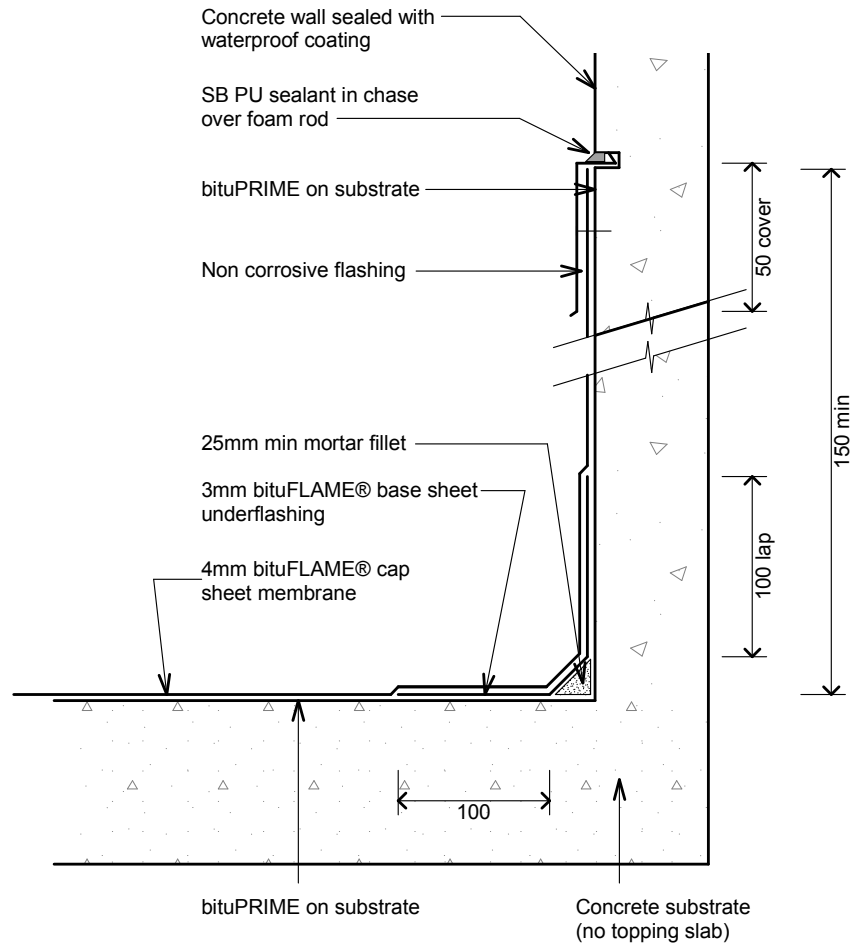
## bF-S04 - Gutter Wall Junction type 2 - direct fix

REVISION: 10 Jun 2014



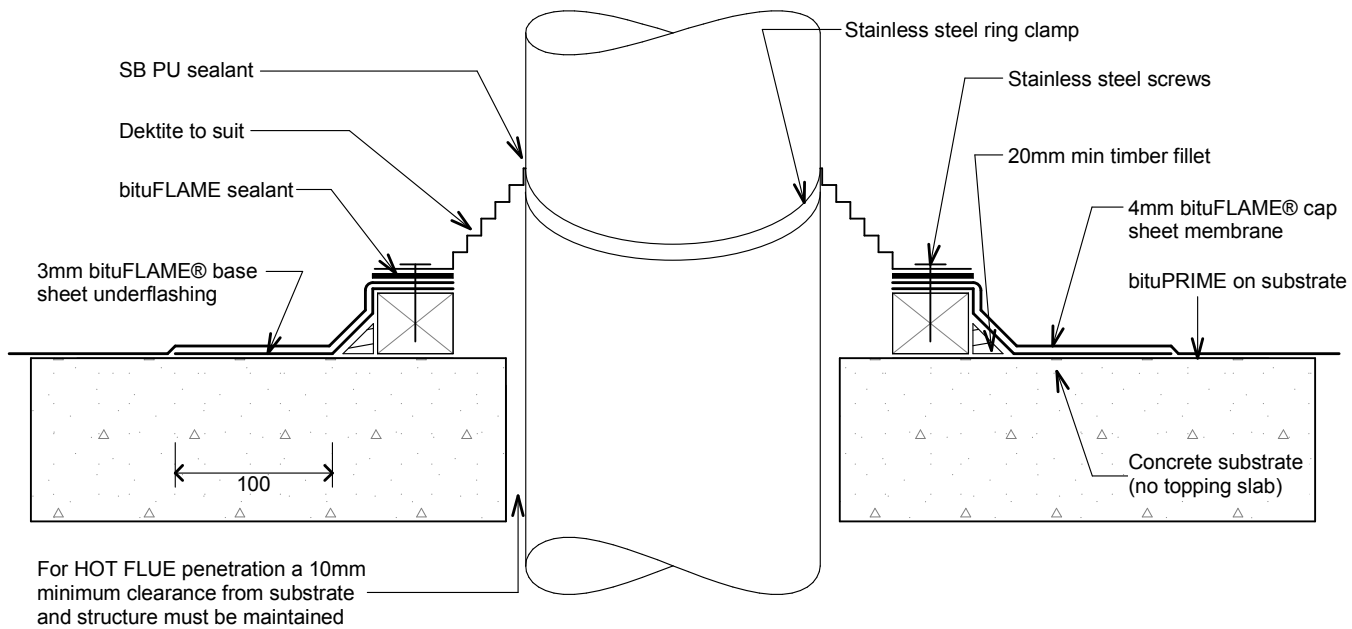
## bF-S05 - Vertical Termination type 1

REVISION: 10 Jun 2014



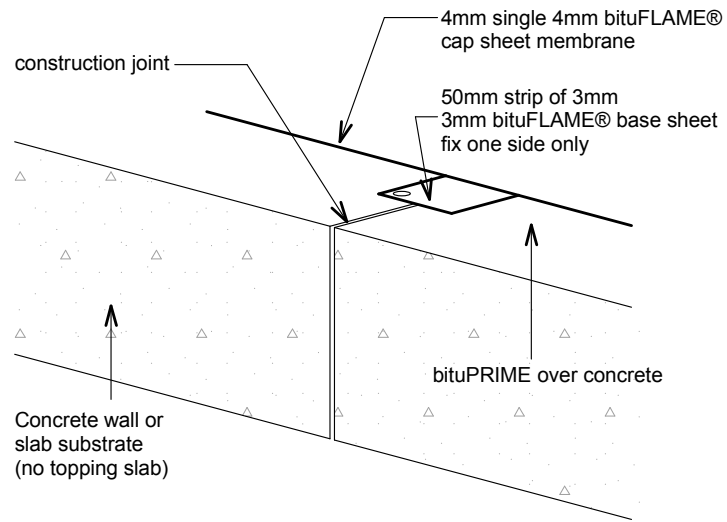
## **bFS06 - Vertical Termination type 2**

REVISION: 10 Jun 2014



## **bFS09 - Pipe Dektite Penetration**

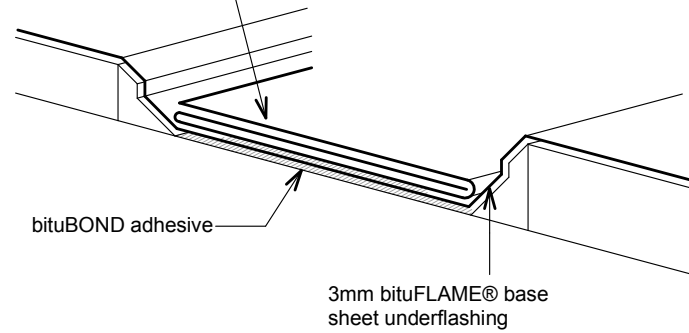
REVISION: 10 Jun 2014



## bFS10 - Construction Joint type 1 - sq edge

REVISION: 10 Jun 2014

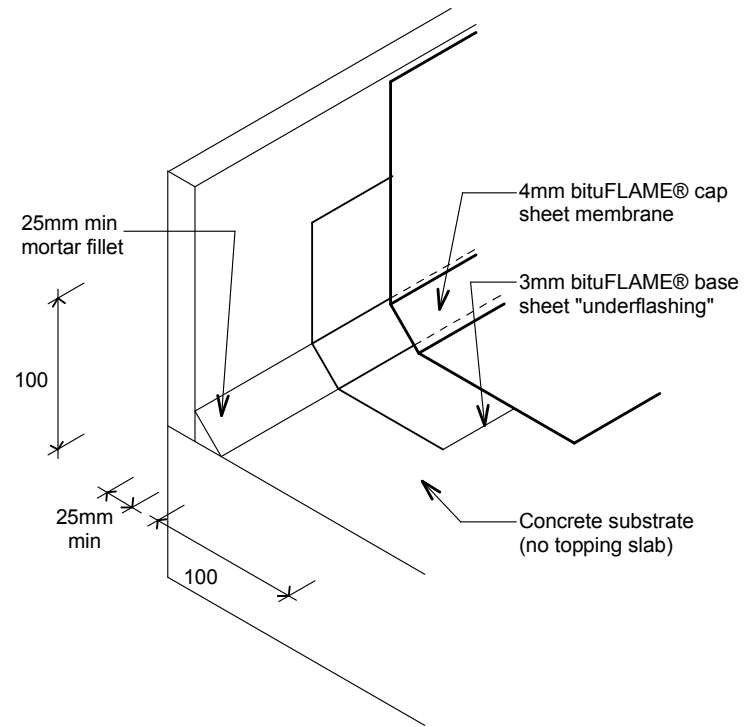
When laying 4mm bituFLAME® cap sheet membrane into a gutter, first fold sufficient membrane into the base to allow for the full girth of the gutter



## bFS11 - Internal Gutter Membrane Installation

REVISION: 10 Jun 2014





## bFS12 - Upstand Cutaway - single layer

REVISION: 10 Jun 2014