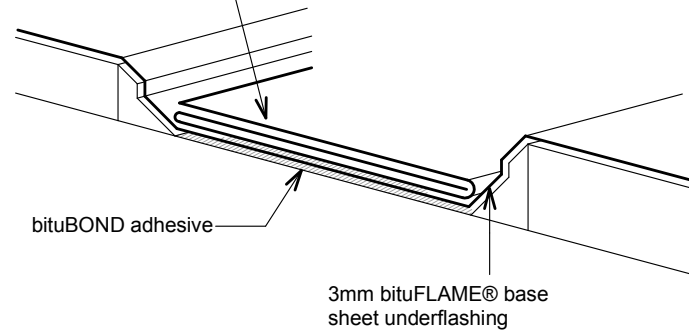


When laying 4mm bituFLAME® cap sheet membrane into a gutter, first fold sufficient membrane into the base to allow for the full girth of the gutter



## bFS11 - Internal Gutter Membrane Installation

REVISION: 10 Jun 2014