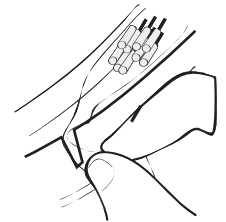
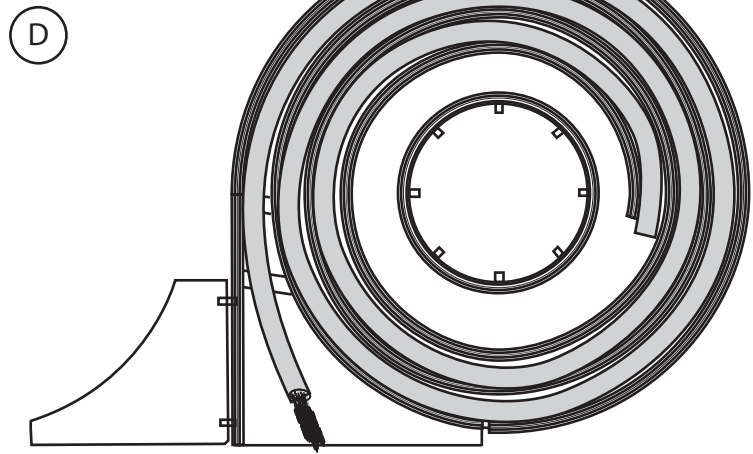
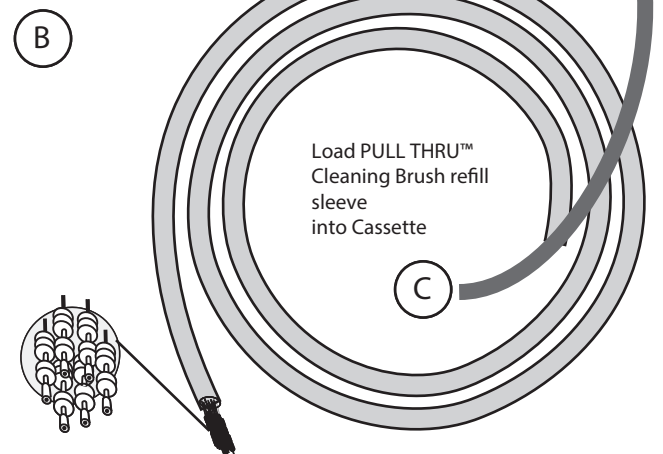
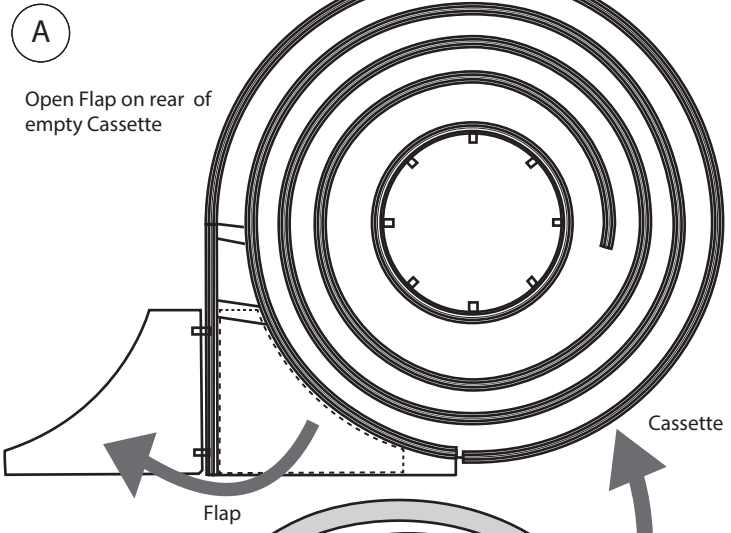


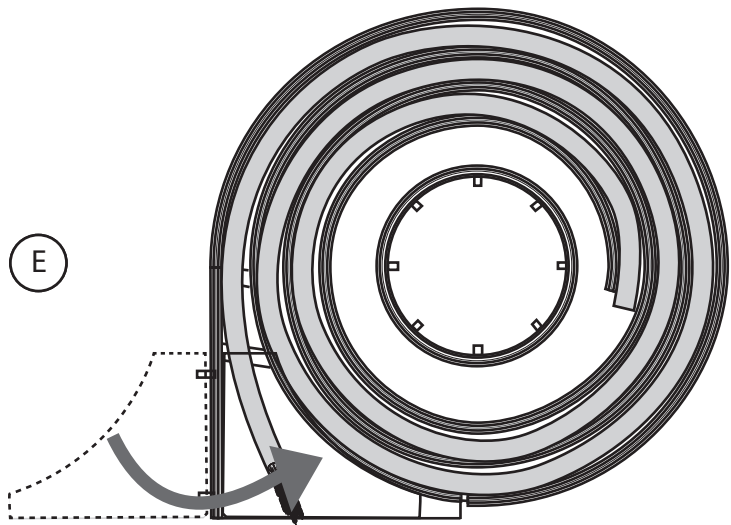
# PULL THRU™ CASSETTE

F R Galantai Manufacturing Co. Ltd  
11 Bancroft Crescent, Glendene  
Auckland, 0602  
New Zealand  
ISO 13485:2016 Certified Site

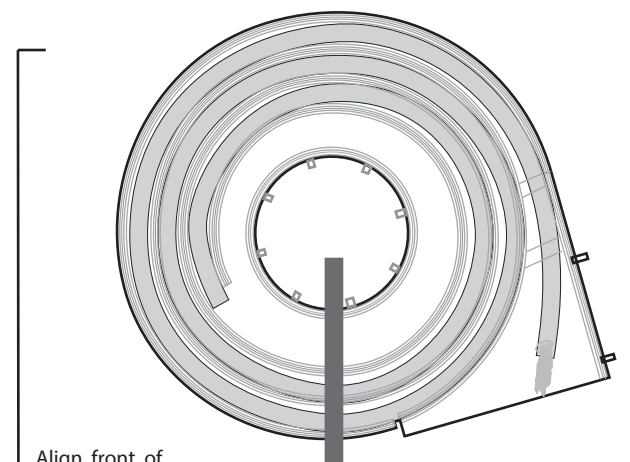
EC REP Advena Ltd.  
Tower Business Centre, 2<sup>nd</sup> Flr.,  
Tower Street, Swatar,  
BKR 4013 Malta



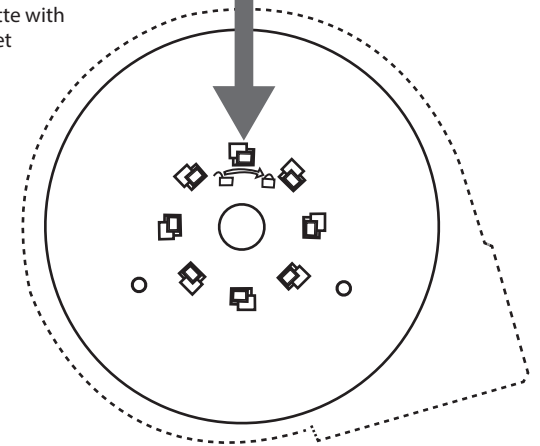
Secure the closed end of the pack by inserting the sleeve through the middle of the slot



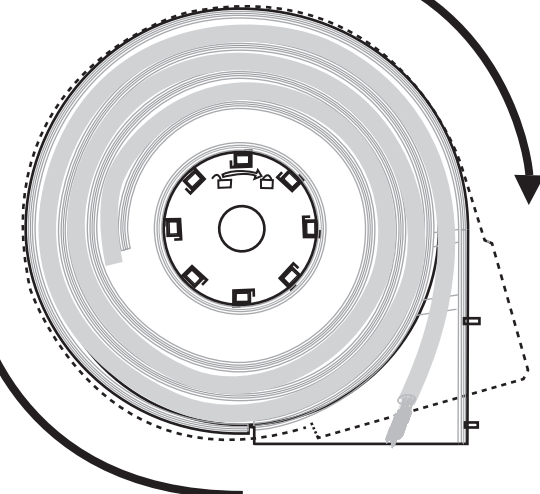
Close Flap



Align front of Cassette with Bracket



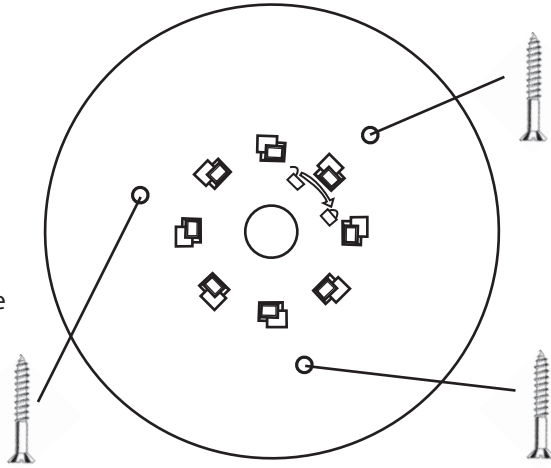
Rotate Cassette to lock into place



Two methods to attach Bracket

- 1 Screw on surface
- 2 Adhesive

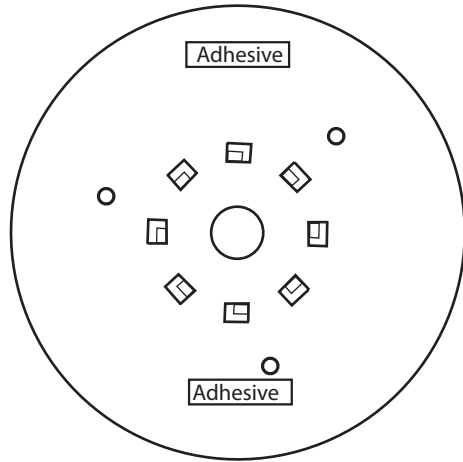
1  
Screw  
on  
surface



Wall or shelf

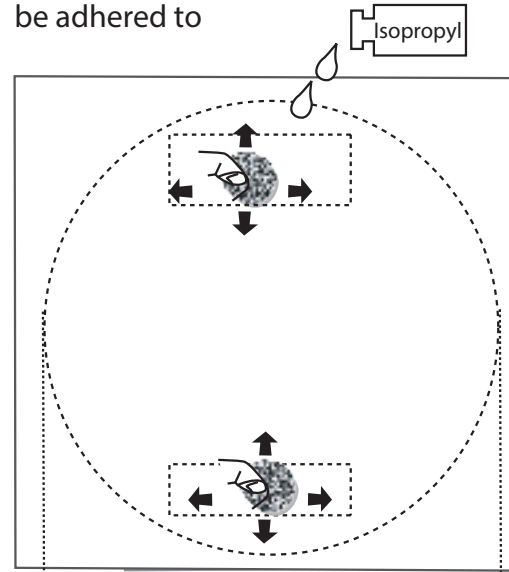


2  
Adhesive



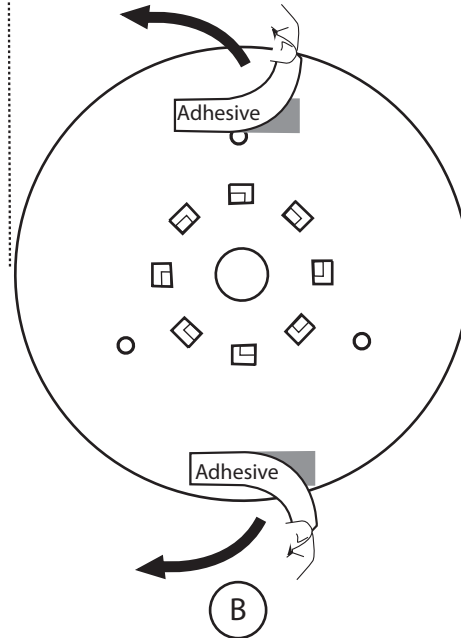
2A

Clean surface Bracket to be adhered to



2B

Remove adhesive backing



2C

