



PUSH THRU™

FEEL THE CLEAN


≈ 230 mm


2.8 - 5.0 mm id



 www.pullthru.net.nz

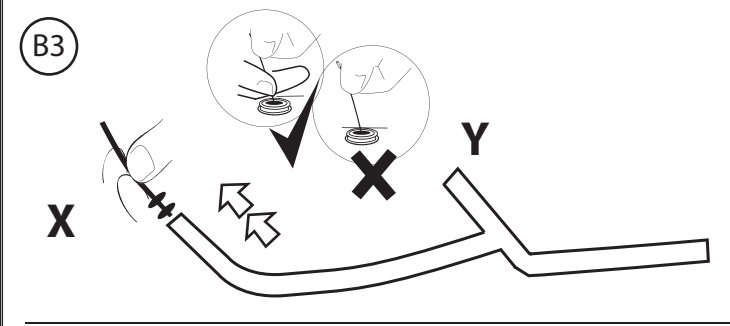
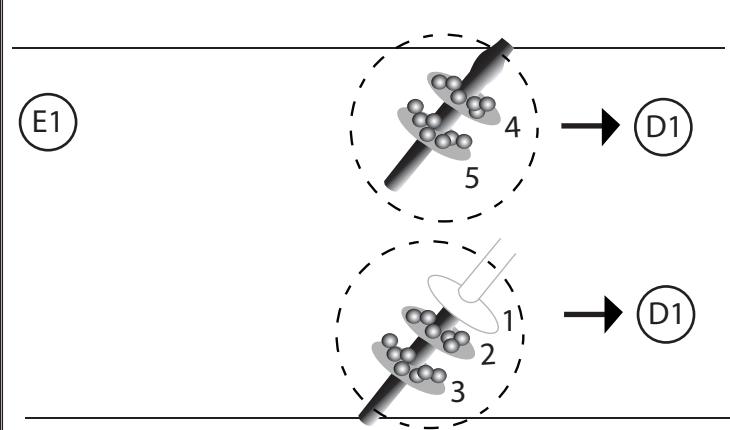
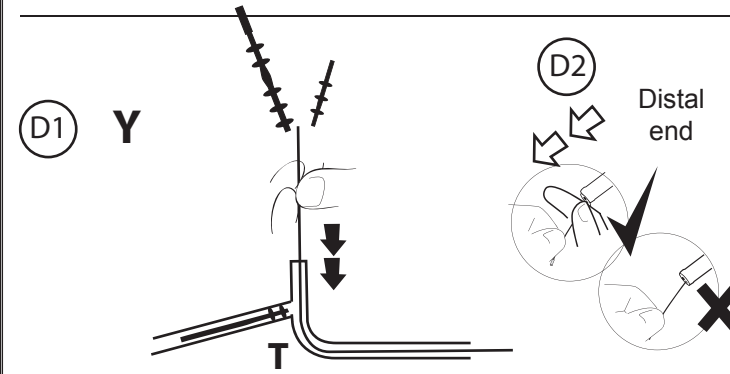
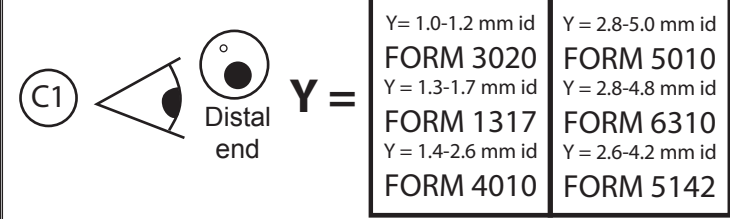
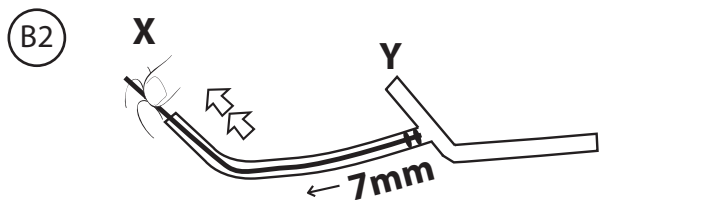
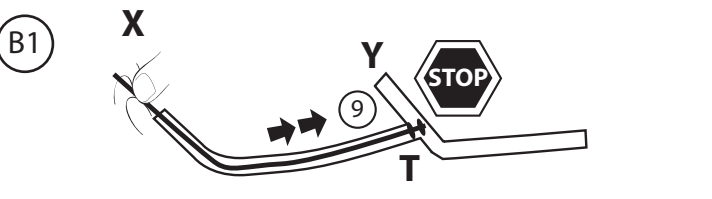
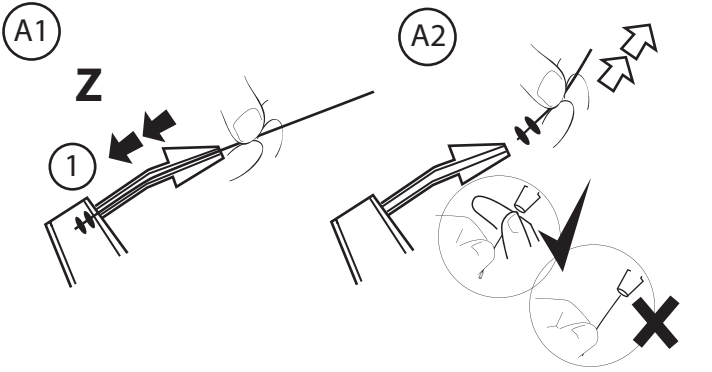
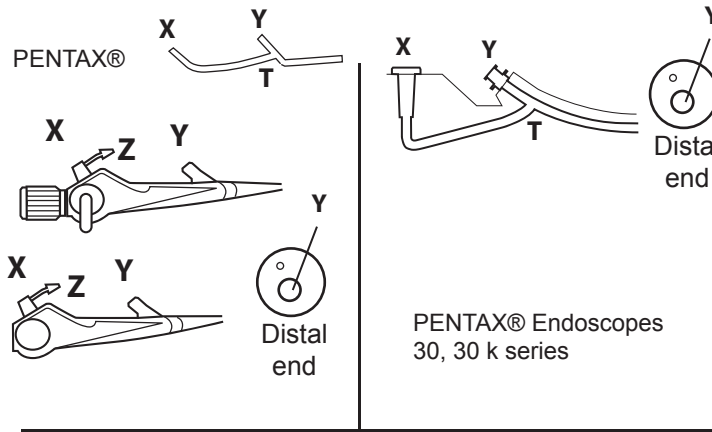
F R Galantai Manufacturing Co. Ltd
11 Bancroft Crescent, Glendene
Auckland, 0602
New Zealand
ISO 13485:2016 Certified Site

 Advena Ltd.
Tower Business Centre, 2nd Flr.,
Tower Street, Swatar,
BKR 4013 Malta

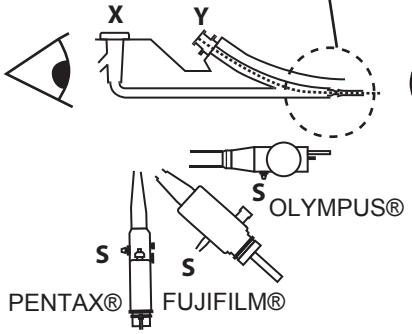
New Zealand Patent Number 540125. Other International Patents Pending.
Copyright © 2018 F R Galantai Manufacturing Co.Ltd.
Trademarks are the property of their respective owners

ADVERSE EVENT REPORTING:

User facilities shall report adverse events to F R Galantai Manufacturing Co. Ltd as well as the competent authority of the EU member state in which the user is established, if applicable.



id 4.0-5.0mm id 1.0-2.6mm



!

Distal end

Y = 1.0-1.2 mm id
FORM 3020
 Y = 1.3-1.7 mm id
FORM 1317
 Y = 1.4-2.6 mm id
FORM 4010

