










2.8-5.0 TM
PULL THRU
FEEL THE CLEAN

Single Patient Use Channel Cleaning Brush


2.8 - 5.0 mm id

≈ 750-2500 mm

 Single use only
 USE WET
 Read Instructions before use
 NON STERILE




see www.pullthru.net.nz for more information

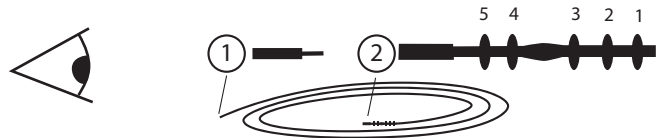






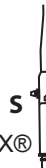

F R Galantai Manufacturing Co. Ltd
 11 Bancroft Crescent, Glendene
 Auckland, 0602
 New Zealand
 ISO 13485:2016 Certified Site

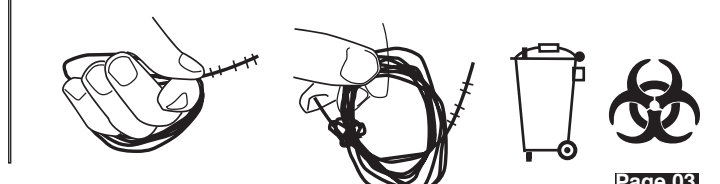
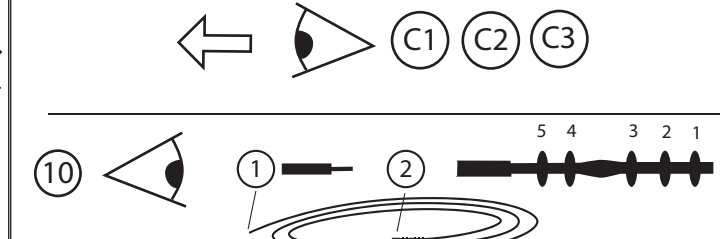
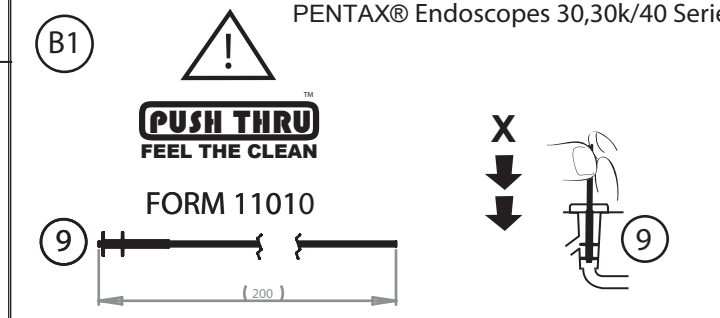
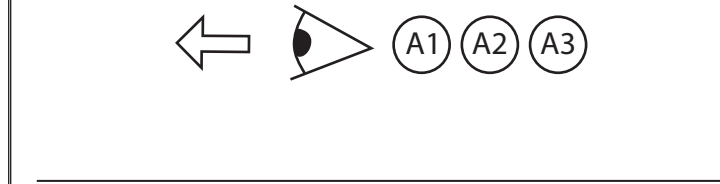
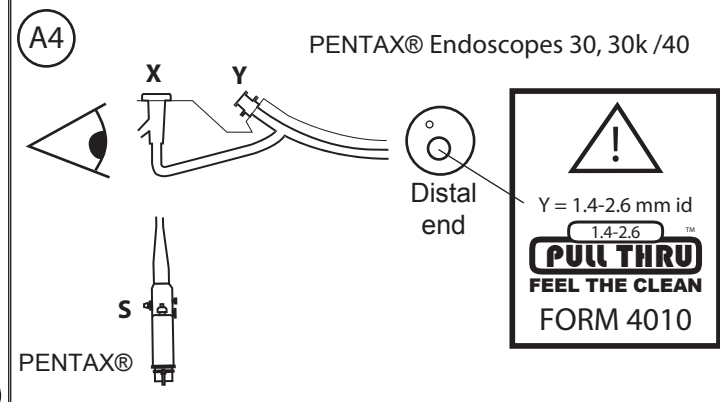
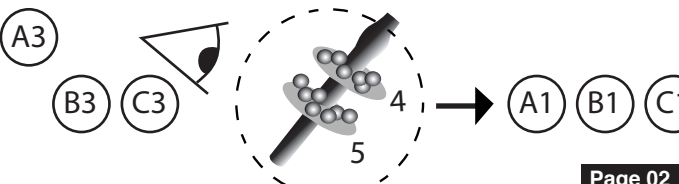
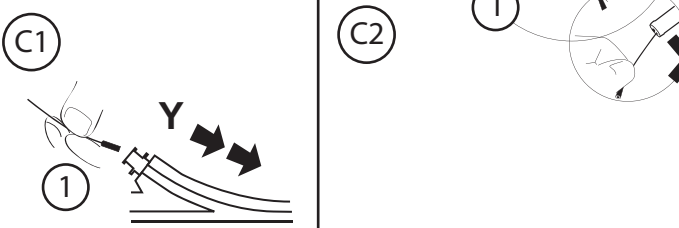
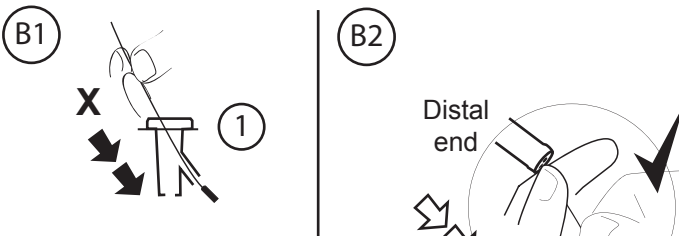
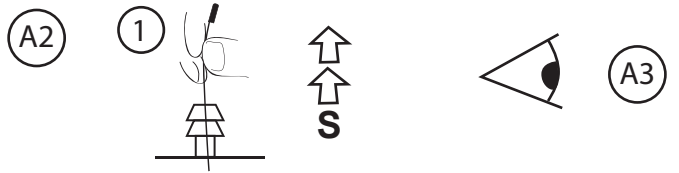
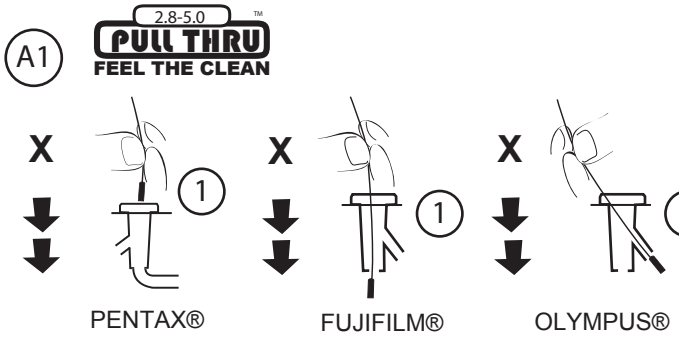
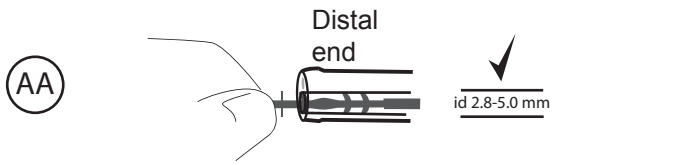
EC REP

Advena Ltd.
 Tower Business Centre, 2nd Flr.,
 Tower Street, Swatar,
 BKR 4013 Malta

New Zealand Patent Number 540125,
 Other International Patents Pending
 Copyright © 2018 F R Galantai Manufacturing Co. Ltd.
 Trademarks are the property of their respective owners



 X Y
 Distal end
 OLYMPUS®
 FUJIFILM®
 PENTAX®
 Y = 1.4-2.6 mm id
PULL THRU
FEEL THE CLEAN
 FORM 4010
 FORM 5010 Rev 16 May 2020



STUBBY BRUSH™

Single Patient Use Channel Cleaning Brush



Single use only



Read Instructions before use

