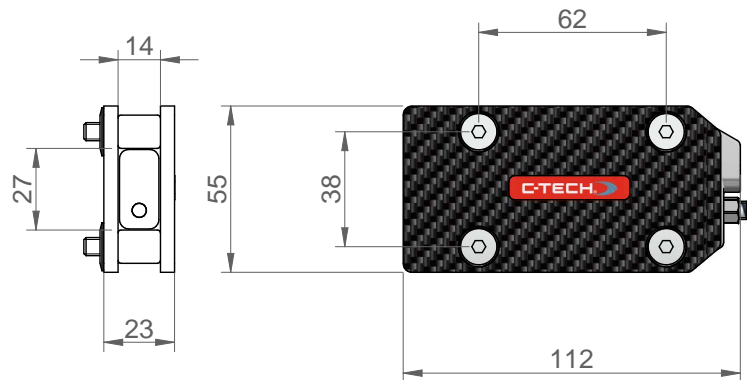
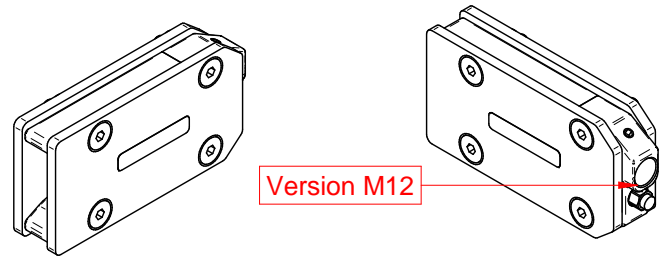


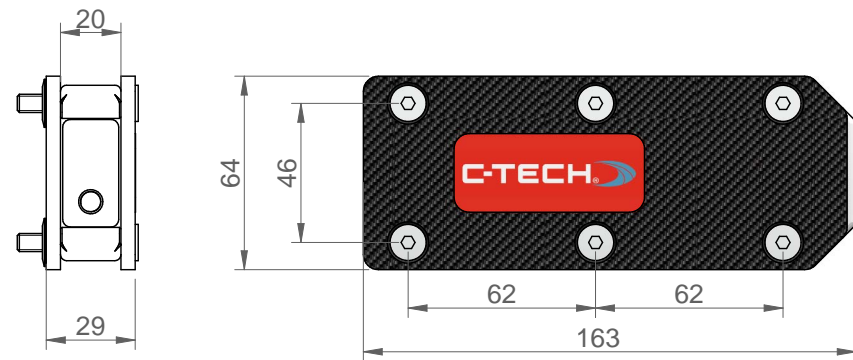
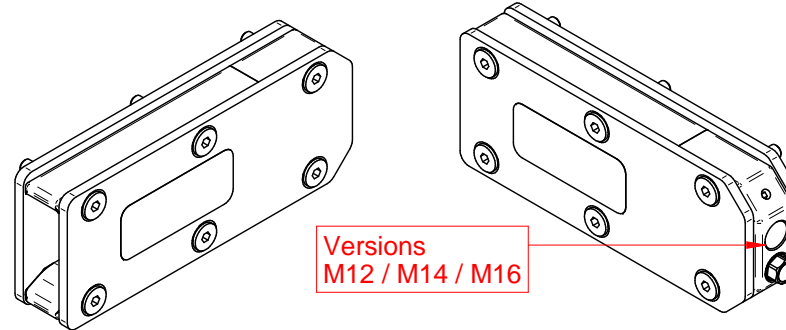
ATLR22

Titanium Body
Internal Thread M12

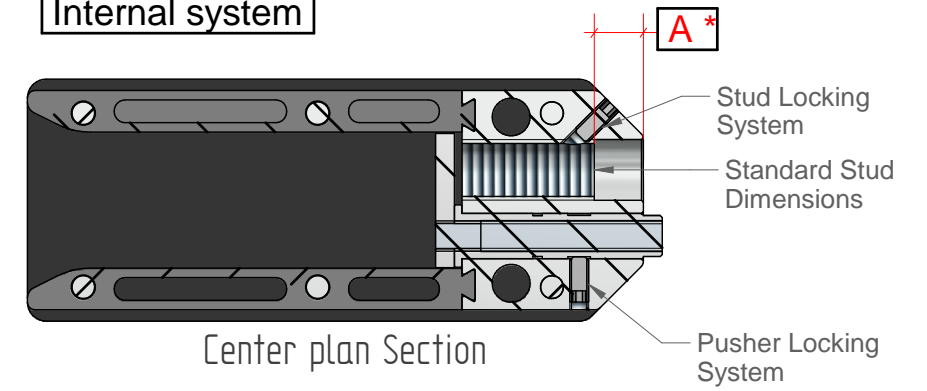


ATLR33

Titanium Body
Internal Threads M12 / M14 / M16



Internal system

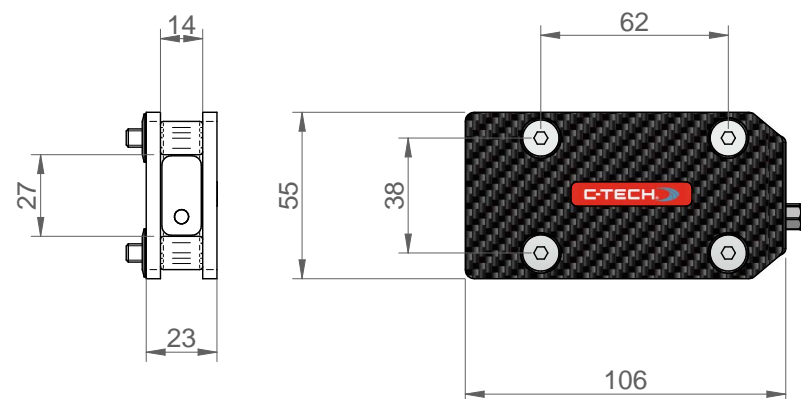
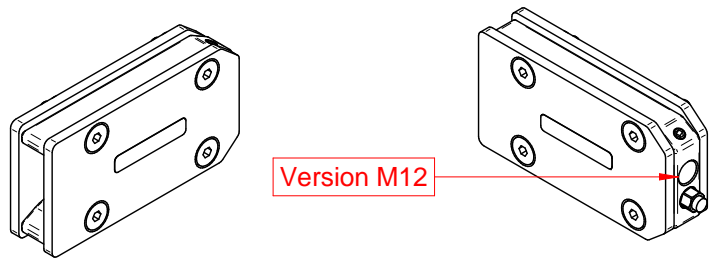


ATLR / APLR Counter bore dimensions

Model	Stud Thread	C'Bore Depth (*A)
APLR22	M10 x 1.5	8.5
ATLR22	M12 x 1.75	10
ATLR33	M12 x 1.75	10
ATLR33	M14 x 2	11.5
ATLR33	M16 x 2	13
ATLR36	M14 x 2	11.5
ATLR36	M16 x 2	13
ATLR36	M18 x 2.5	14.5

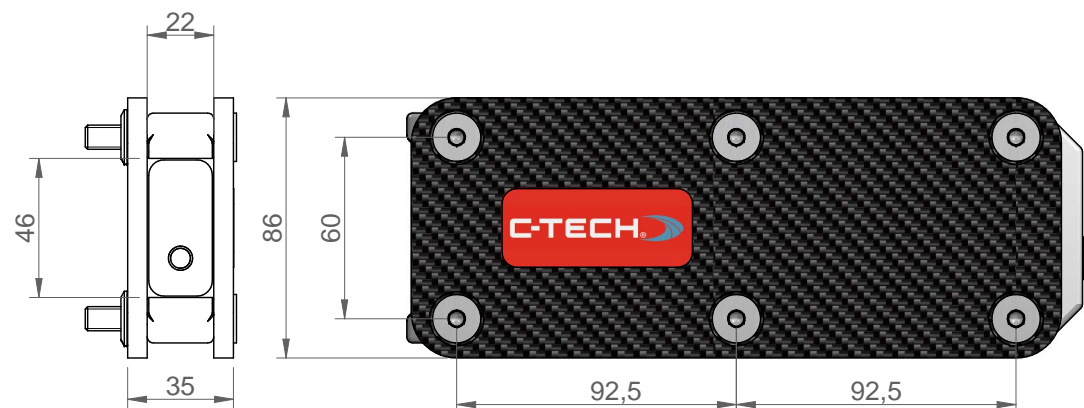
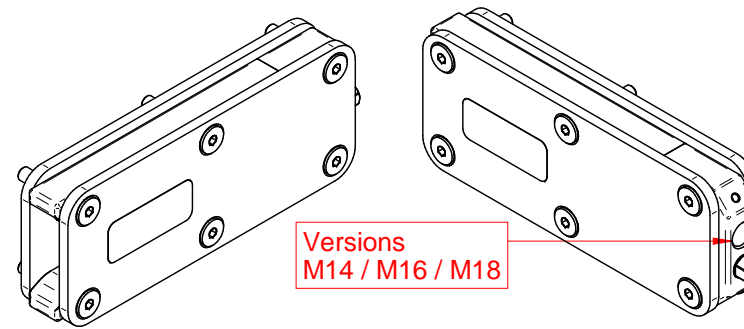
APLR22C

Acetal Body
Internal Thread M12



ATLR36

Titanium Body
Internal Threads M14 / M16 / M18



<small>DIMENSIONS ARE IN MILLIMETERS 0.1 0.04=±0.1 0.02=±0.01 ANGLES = ±0.1°</small>	<small>C-Tech reserve all rights in this document and in the information contained therein. Reproduction, use or disclosure to third parties without express authority is strictly forbidden.</small>	REV	DESCRIPTION	DATE	APPROVED	DRAWN	DWG NO.	SHEET 1 of 1
		A	Released	15/06/20		TM	SCALE: 1:2.5 SHEET SIZE: A3	Project No.:

C-TECH

PART. _____

DISCRIPTION. **Dimensions**

TITLE. **ATLR / APLR - Full Range**