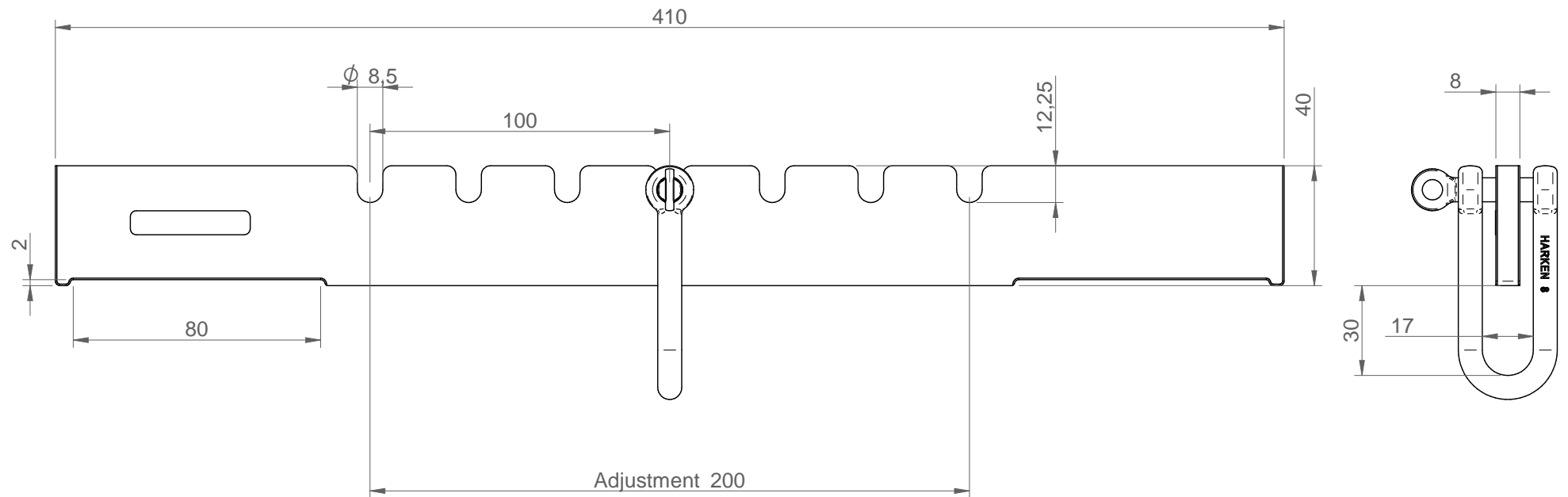
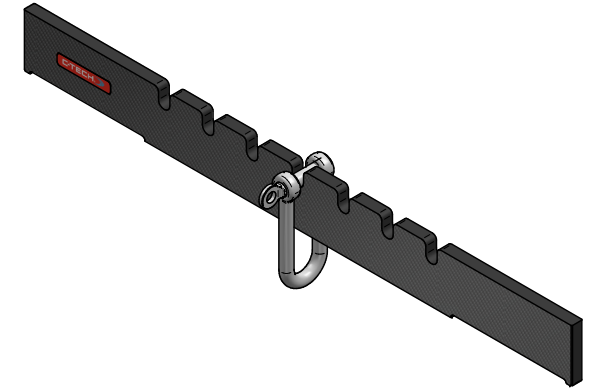


Item Number	Part Number	Description	Revision number	Material	Quantity	Mass (Quantity)
1*	06-0021	Carbon Clew Board 500kg WL	A	Carbon Plate	1	0.227 kg
2	07-0011	C-Tech Sticker 40x8	A	PVC	1	0.000 kg



C-TECH®

PART: **06-0021**

DISCRPTION: **Carbon Clewboard 500kg WL**

TITLE: **Dimensions**

DWG NO. 06-0021 SHEET 1 of 3

SCALE: 1:2 SHEET SIZE A4 Project No.:

REV	DESCRIPTION	DATE	DRAWN	APPROVED
A	Released	15/11/2019	TM	PF

DIMENSIONS ARE IN MILLIMETERS
 0±0.1
 0.0±0.1
 0.00±0.01
 ANGLES = ±0.1°

C-Tech reserve all rights in this document and in the information contained therein.
 Reproduction, use or disclosure to third parties without express authority is strictly forbidden.