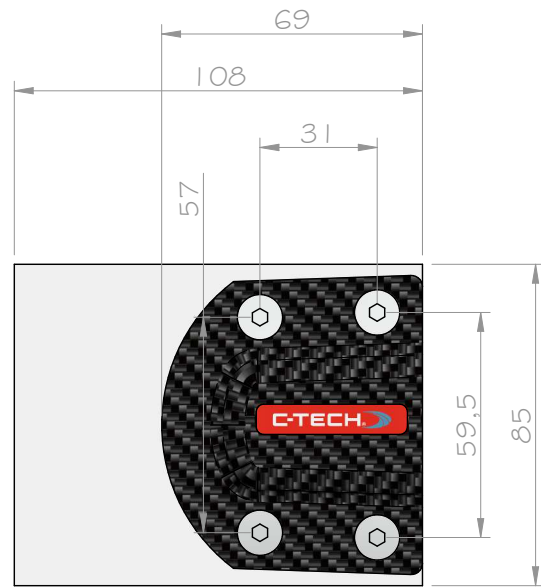


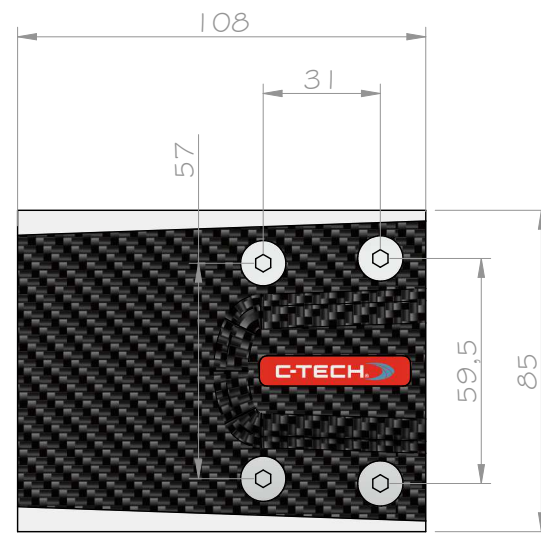
90mm POCKET

STANDARD



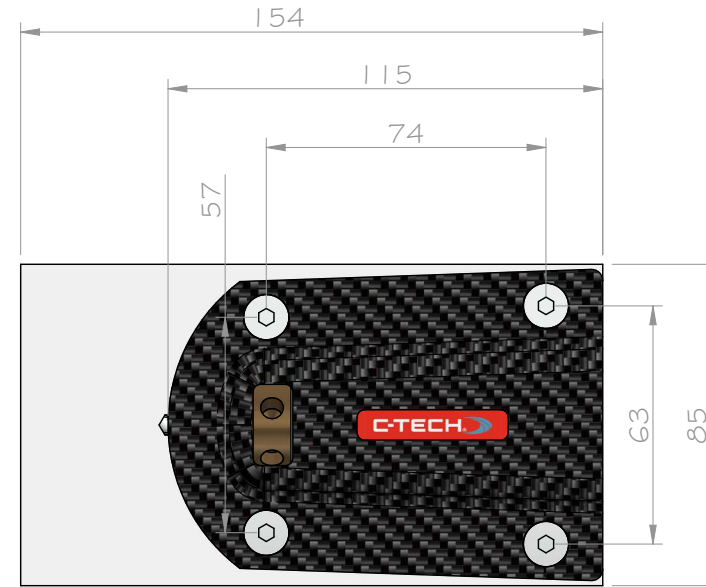
CCLR.0386

SQUARE FRONT



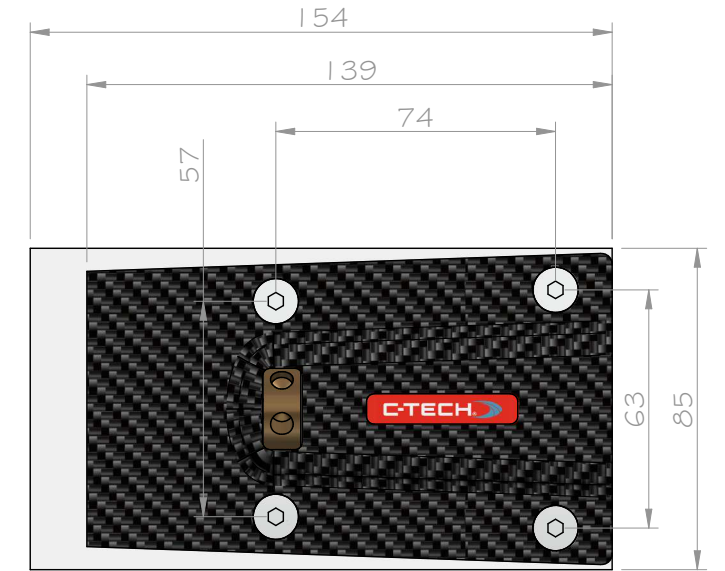
CCLR.0390

ADJUSTABLE



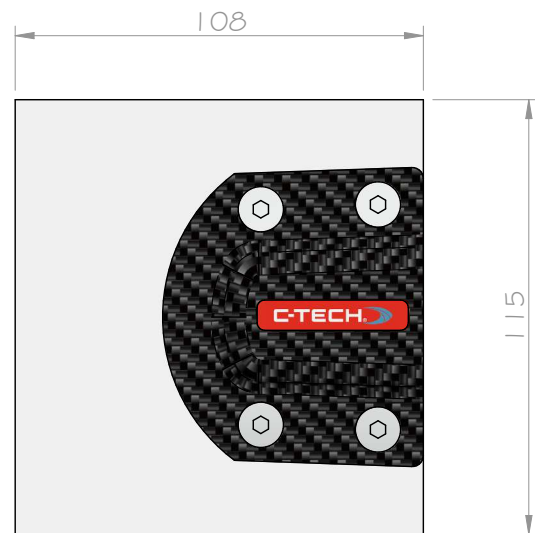
CCLR.0394

ADJUSTABLE SQUARE FRONT



CCLR.0397

120mm POCKET



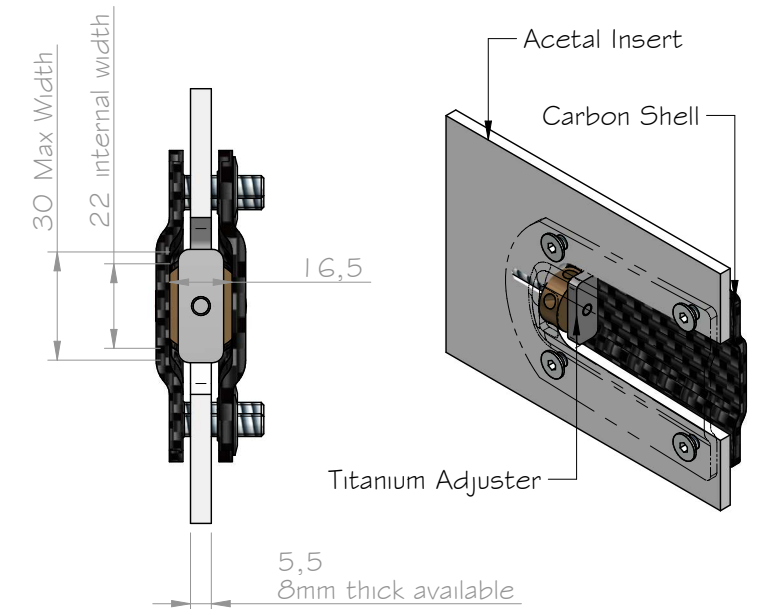
CCLR.0388



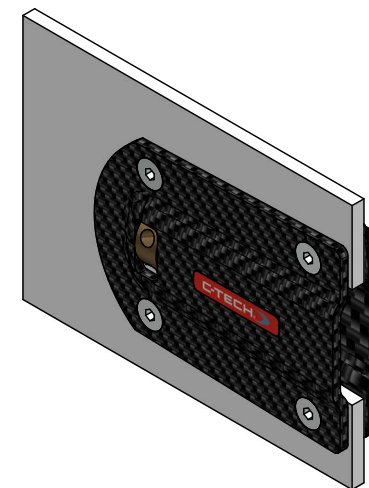
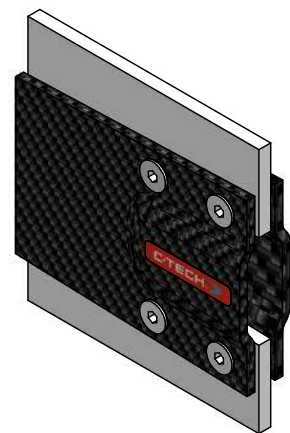
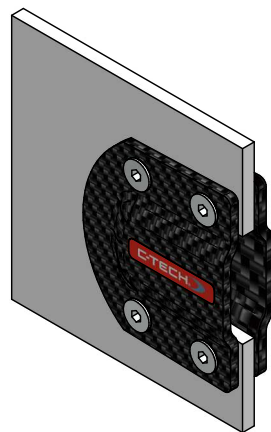
CCLR.0392



CCLR.0396



Internal System



PART:
DISCRIPTION: Dimensions
TITLE: CCLR - Full Range Presentation

<small>DIMENSIONS ARE IN MILLIMETERS 0 = ±1 0.0 = ±0.1 0.00 = ±0.01 ANGLES = ±0.1°</small>	<small>C-Tech reserve all rights in this document and in the information contained therein. Reproduction, use or disclosure to third parties without express authority is strictly forbidden.</small>	REV	DESCRIPTION	DATE	APPROVED	DRAWN	DWG NO.	SHEET 1 of 1	
		A	Released	24/04/19		TM	SCALE: 1:2	SHEET SIZE: A3	Project No.: