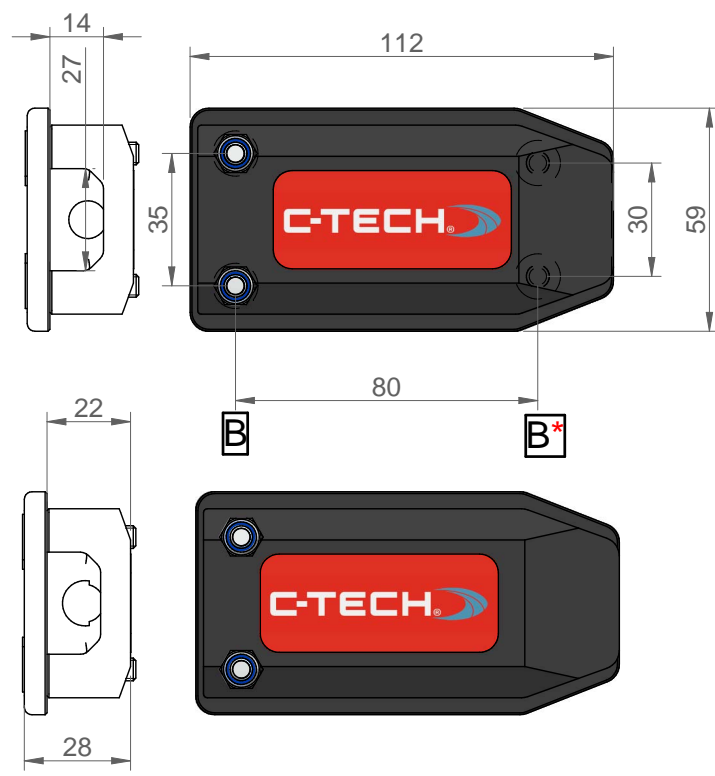
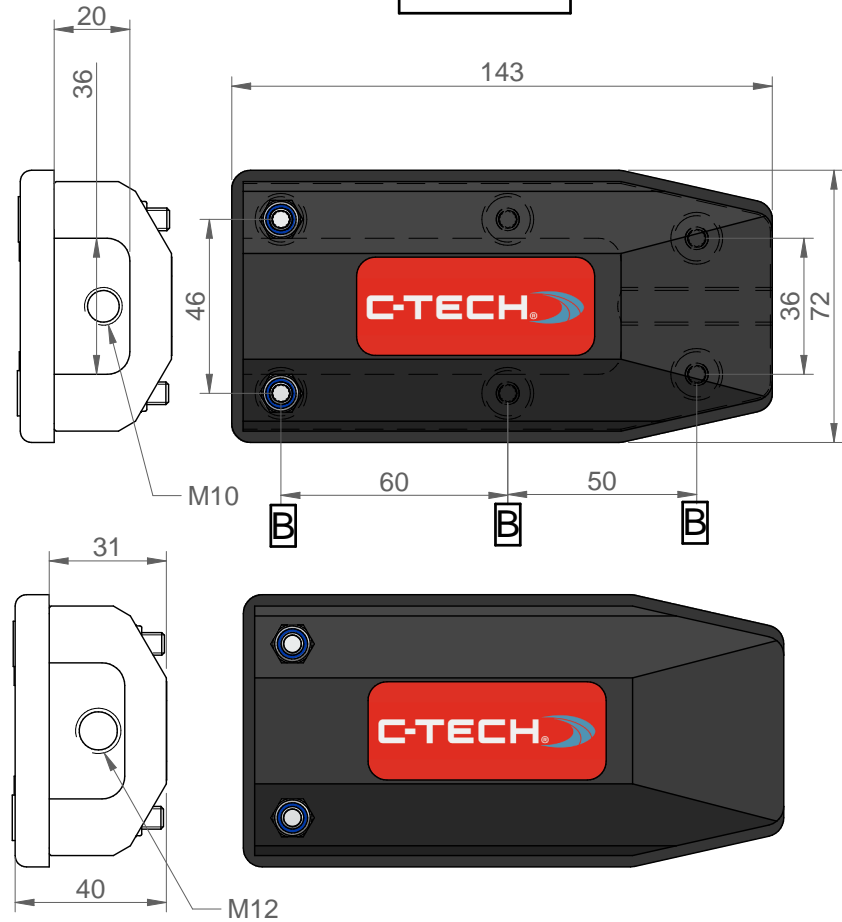


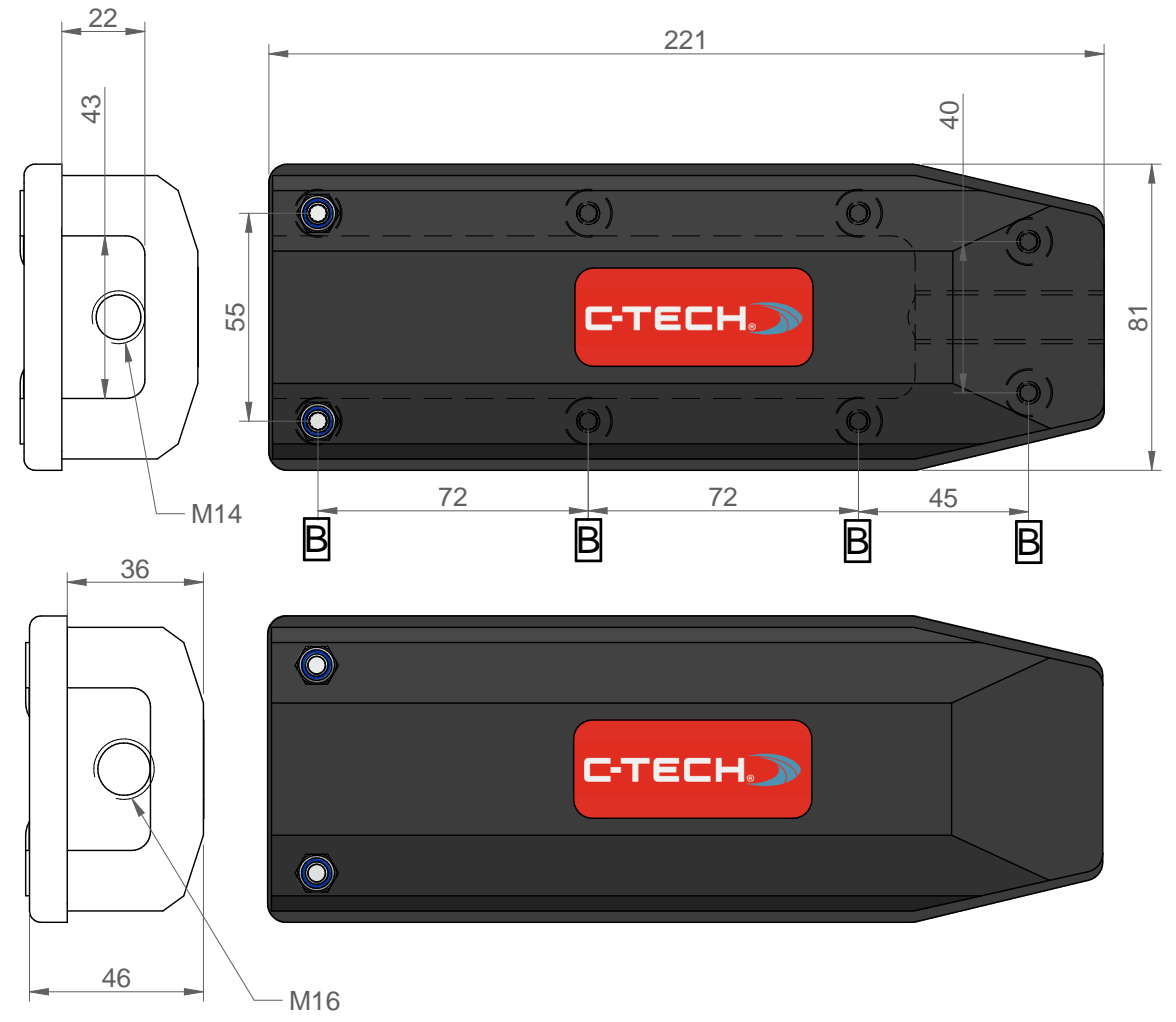
NALR22



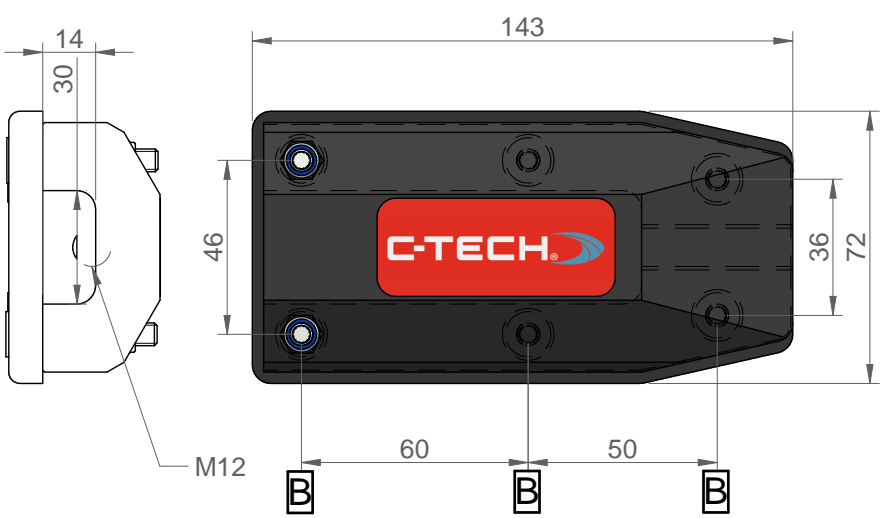
NALR33



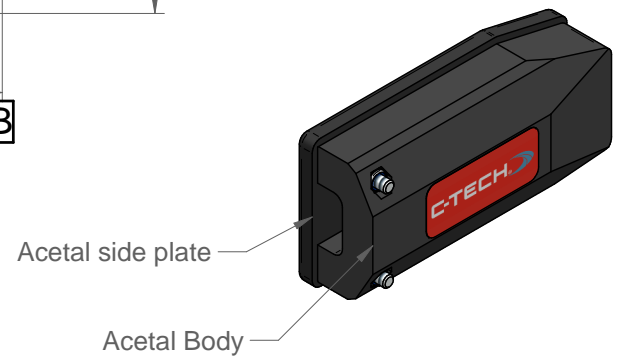
NALR36



NALR33 - 22



* B = Bolt Position



All models threaded full hole depth

CT Standard Threads

Thread	Pitch
M10	1.5
M12	1.75
M14	2
M16	2



PART.			
DISCRIPTION.	General Dimensions		
TITLE.	NALR - Full Range		
DWG NO.			SHEET 1 of 1
SCALE: 1:2	SHEET SIZE: A3	Project No.:	

<small>DIMENSIONS ARE IN MILLIMETERS 0.1 0.05-0.1 0.02-0.01 ANGLES = ±0.1°</small>	<small>C-Tech reserve all rights in this document and in the information contained therein. Reproduction, use or disclosure to third parties without express authority is strictly forbidden.</small>	REV	DESCRIPTION	DATE	APPROVED	DRAWN
		A	Released	15/06/20		TM