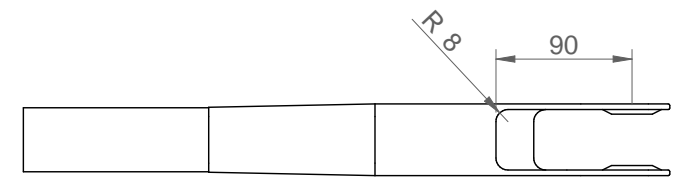
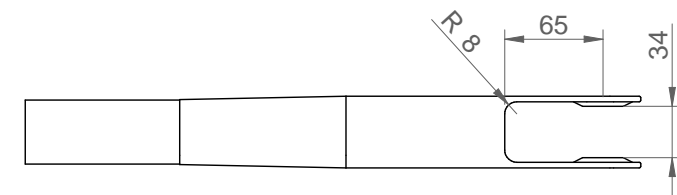


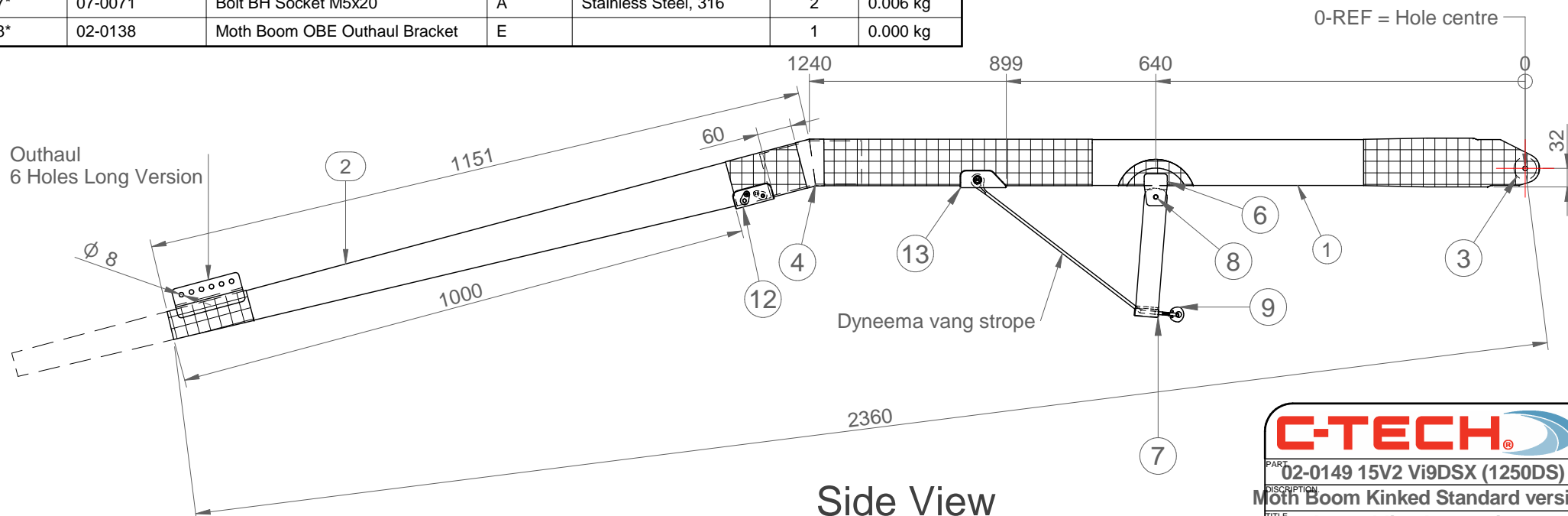
| Item Number | Part Number | Description | Revision number | Material | Quantity | Mass (Quantity) |
|-------------|-------------|-------------------------------|-----------------|----------------------|----------|-----------------|
| 1 | 02-0157 | Moth Boom Front Half Standard | B | Carbon Fibre Solid | 1 | 0.923 kg |
| 2 | 02-0157 | Moth Boom Aft Half | A | Carbon Fibre Solid | 1 | 0.729 kg |
| 3 | 02-0022 | Washer-Carbon-470dx5mm | A | Carbon Plate | 2 | 0.016 kg |
| 4 | 02-0023 | Moth Boom Bent 15deg int slve | A | Carbon Fibre Solid | 1 | 0.127 kg |
| 5 | 02-0024 | Moth Boom Bent 15 deg cover | B | Carbon Fibre Solid | 2 | 0.006 kg |
| 6 | 02-0028 | Moth Boom Vanglever Hanger | B | | 1 | 0.000 kg |
| 7 | 02-0032 | Moth Boom Vanglever | A | | 1 | 0.000 kg |
| 8 | 07-0023 | RF265 Clevis Pin | A | Stainless Steel, 316 | 1 | 0.008 kg |
| 9 | 07-0021 | TyeTec NMP 261010 | A | Aluminium, 6061-T6 | 1 | 0.006 kg |
| 10* | | Moth Vang pin 6mm | A | Stainless Steel, 316 | 2 | 0.024 kg |
| 11* | 02-0184 | Moth Vang Pin Ti 12.7mm | A | Ti, 6AL4V | 1 | 0.025 kg |
| 12 | 02-0025 | Moth Boom Sheet Hanger | B | Carbon Plate | 1 | 0.030 kg |
| 13 | 02-0202-00 | Moth Boom Vang Hanger Fitting | A | Carbon Plate | 1 | 0.038 kg |
| 14* | 07-0118 | Screw cup washer M5 | A | Stainless Steel, 316 | 2 | 0.001 kg |
| 15* | 07-0119 | M5x50 CSK SS Bolt | A | Stainless Steel, 316 | 2 | 0.008 kg |
| 16* | 07-0101 | Lockingtab-SS-6mm | A | Stainless Steel, 316 | 2 | 0.006 kg |
| 17* | 07-0071 | Bolt BH Socket M5x20 | A | Stainless Steel, 316 | 2 | 0.006 kg |
| 18* | 02-0138 | Moth Boom OBE Outhaul Bracket | E | | 1 | 0.000 kg |



TOP CUT OUT
1:5



BOTTOM CUTOUT
1:5



Side View

C-TECH

PART: 02-0149 15V2 Vi9DSX (1250DS)

DESCRIPTION: Moth Boom Kinked Standard version

TITLE: Assembling Instructions

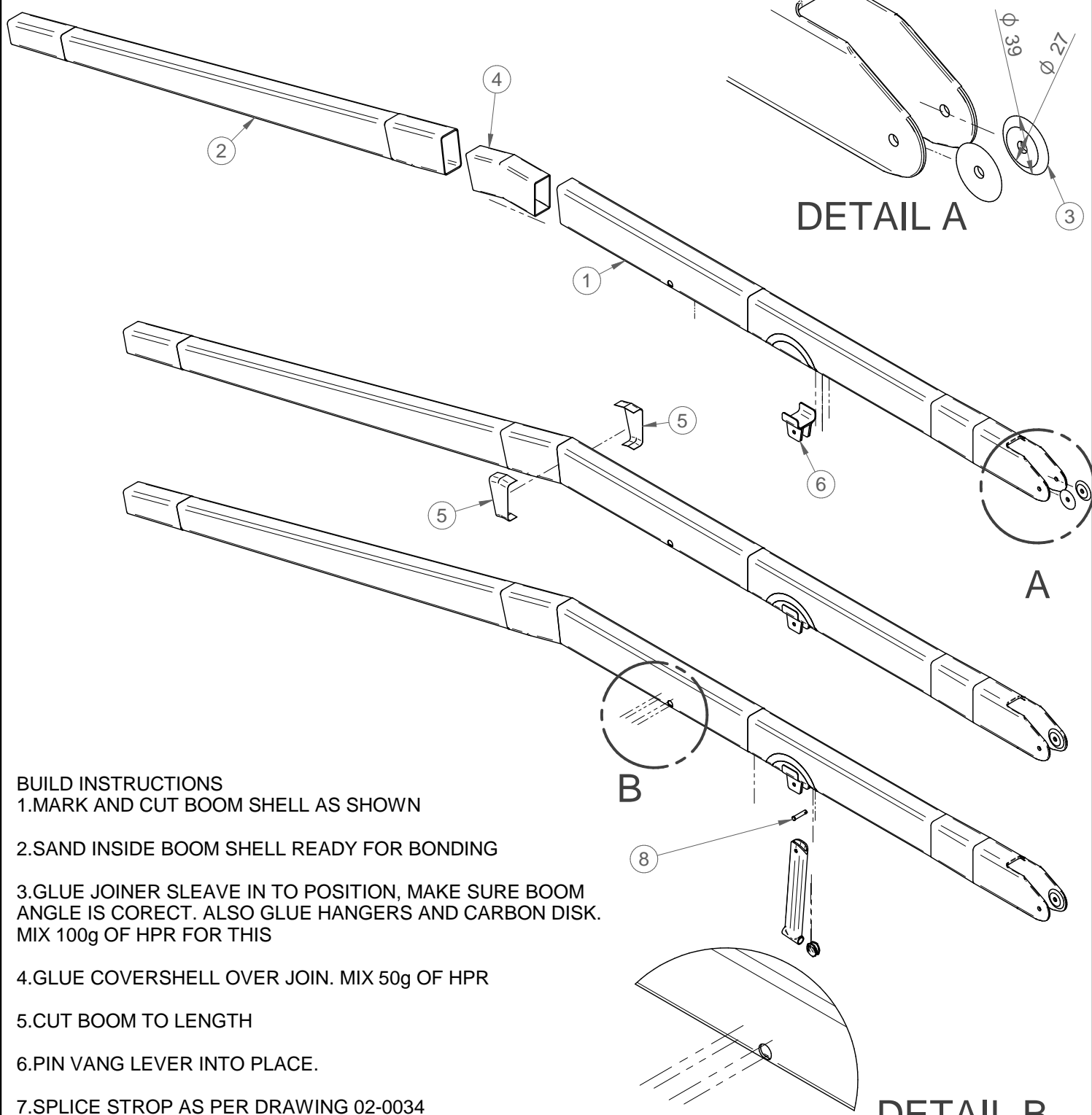
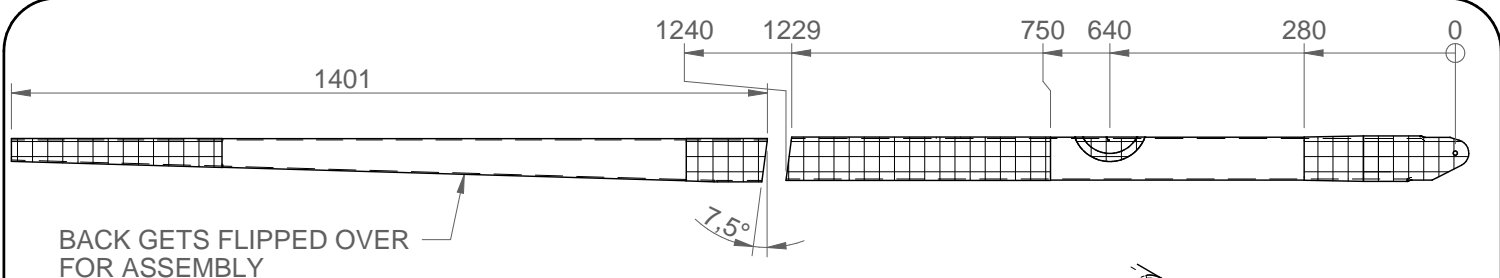
DWG NO. 02-0149 15V2 Vi9DSX (1250DS) SHEET 1 of 2

SCALE: 1:10 SHEET SIZE A4 Project No.:

DIMENSIONS ARE IN MILLIMETERS
0±.1
0.0±.01
ANGLES ±0.1°

C-Tech reserve all rights in this document and in the information contained therein.
Reproduction, use or disclosure to third parties without express authority is strictly forbidden.

| REV | DESCRIPTION | DATE | DRAWN | APPROVED |
|-----|------------------|-----------|-------|----------|
| A | Standard Version | 7/08/2020 | TM | TW |



BUILD INSTRUCTIONS

1. MARK AND CUT BOOM SHELL AS SHOWN
2. SAND INSIDE BOOM SHELL READY FOR BONDING
3. GLUE JOINER SLEEVE IN TO POSITION, MAKE SURE BOOM ANGLE IS CORRECT. ALSO GLUE HANGERS AND CARBON DISK. MIX 100g OF HPR FOR THIS
4. GLUE COVERSHELL OVER JOIN. MIX 50g OF HPR
5. CUT BOOM TO LENGTH
6. PIN VANG LEVER INTO PLACE.
7. SPLICE STROP AS PER DRAWING 02-0034
8. LACE THROUGH VANG LEVER CUT A PIECE OF HEAT SHRINK AND SHRINK IT ONTO STROP JUST BEHIND LEVER. DO NOT OVER HEAT!. BOLT ON TO HANGER

C-TECH

PART NO. 02-0149 15V2 Vi9DSX (1250DS)

DESCRIPTION: Moth Boom Kinked Standard version

TITLE: Assembly

| | | | | | | | | | | |
|---|---|-----|------------------|-----------|-------|----------|--------------------------------------|-------------|---------------|--------------|
| <small>DIMENSIONS ARE IN MILLIMETERS</small> <small>0± #1</small> <small>0.0± #0.1</small> <small>0.00± #0.01</small> <small>ANGLES ± #0.1°</small> | <small>C-Tech reserve all rights in this document and in the information contained therein.</small> <small>Reproduction, use or disclosure to third parties without express authority is strictly forbidden.</small> | REV | DESCRIPTION | DATE | DRAWN | APPROVED | DWG NO. 02-0149 15V2 Vi9DSX (1250DS) | SCALE: 1:10 | SHEET SIZE A4 | Project No.: |
| | | A | Standard Version | 7/08/2020 | TM | TW | 1250DS | | | |