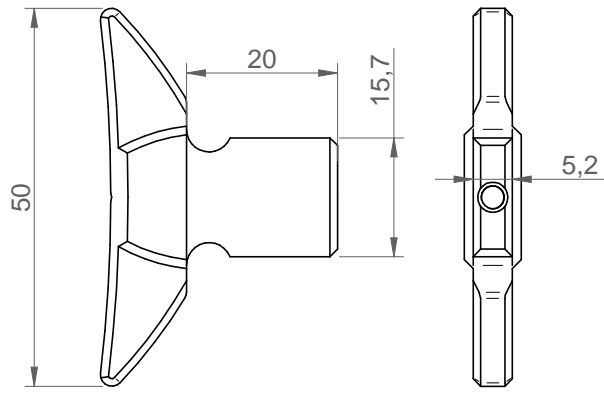
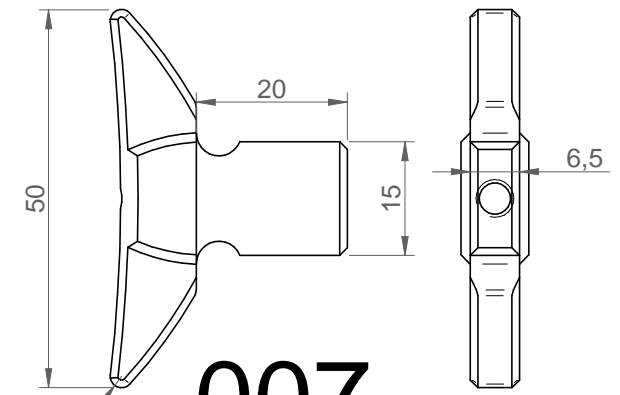
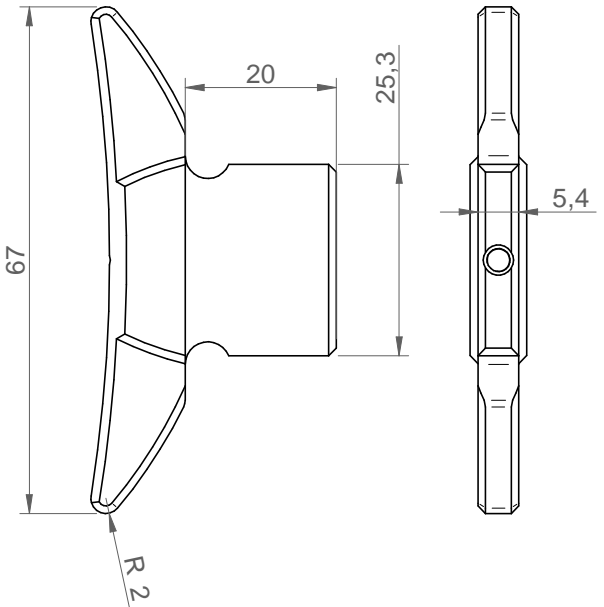
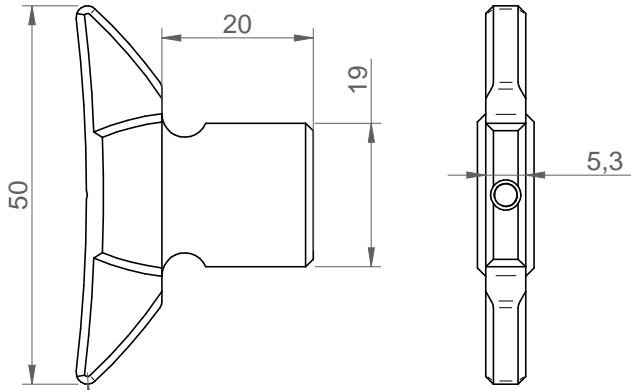


005

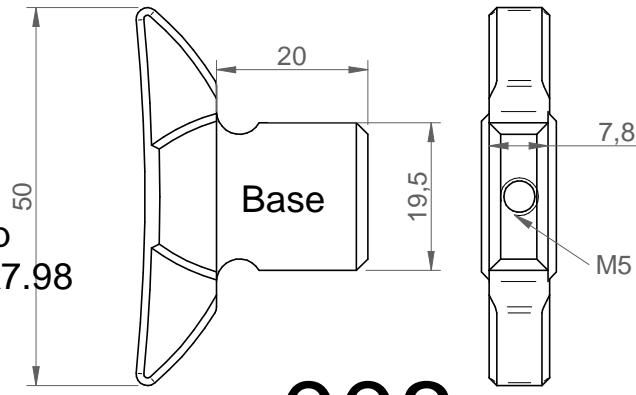
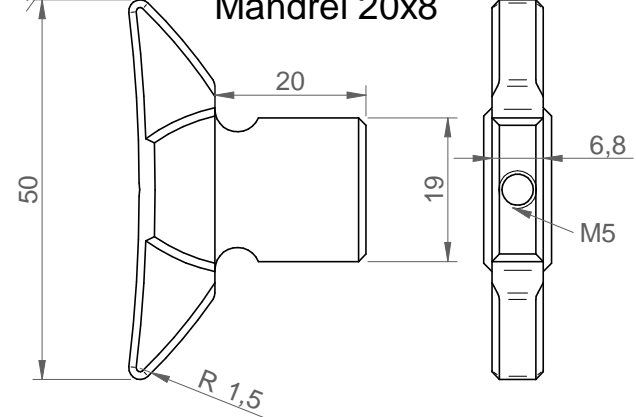


Mandrel 20x5.9



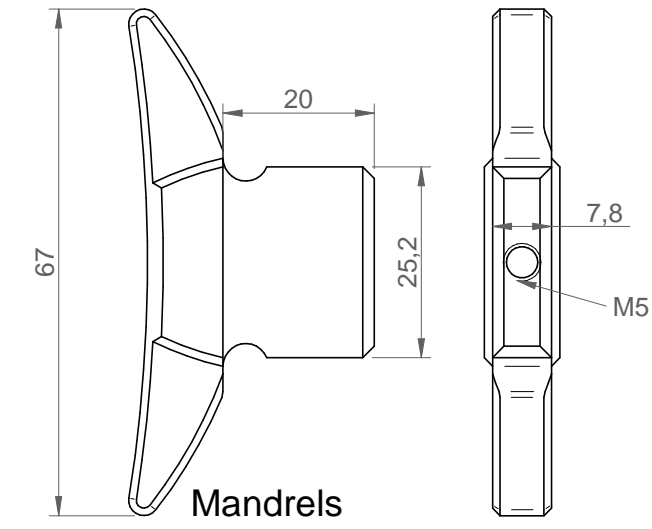
007

Mandrel 20x8

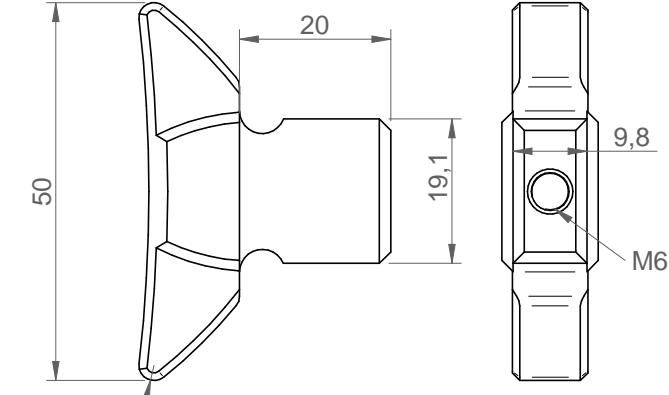


008

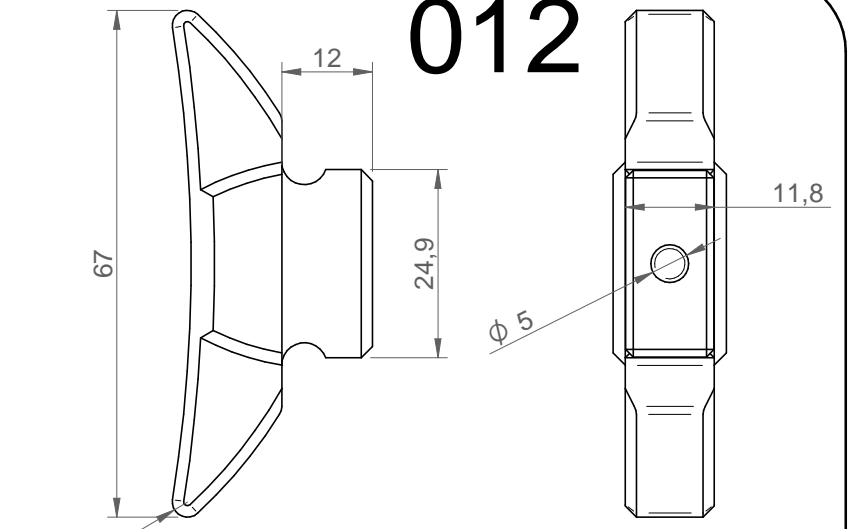
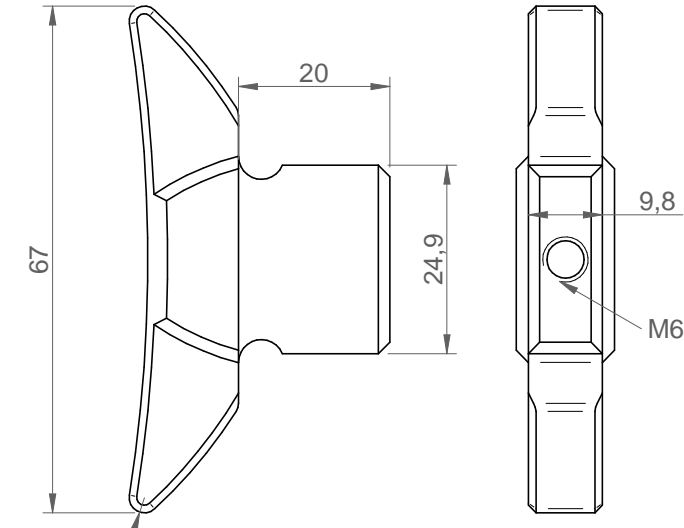
Mandrels
25.7x8 - Tap End 25.2x8



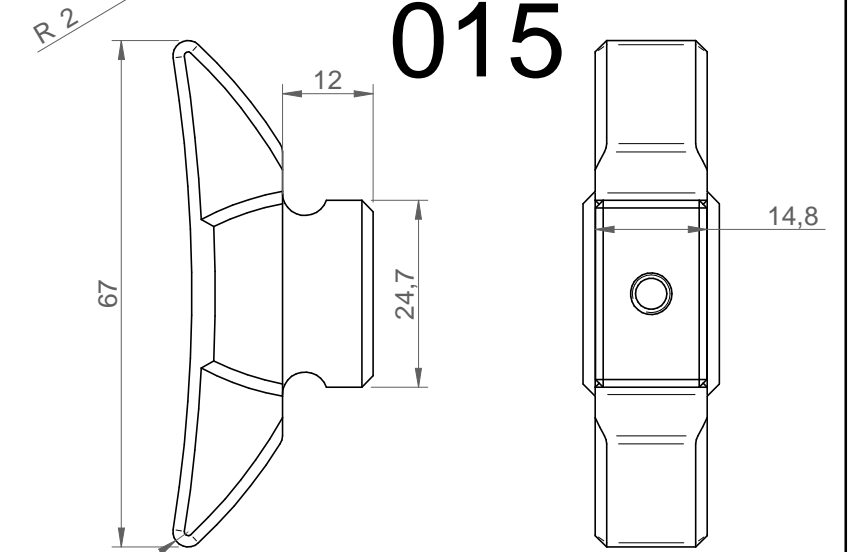
Mandrels
19.6x10 - Tap End 19.4x10
19x10 - Tap End 19x9



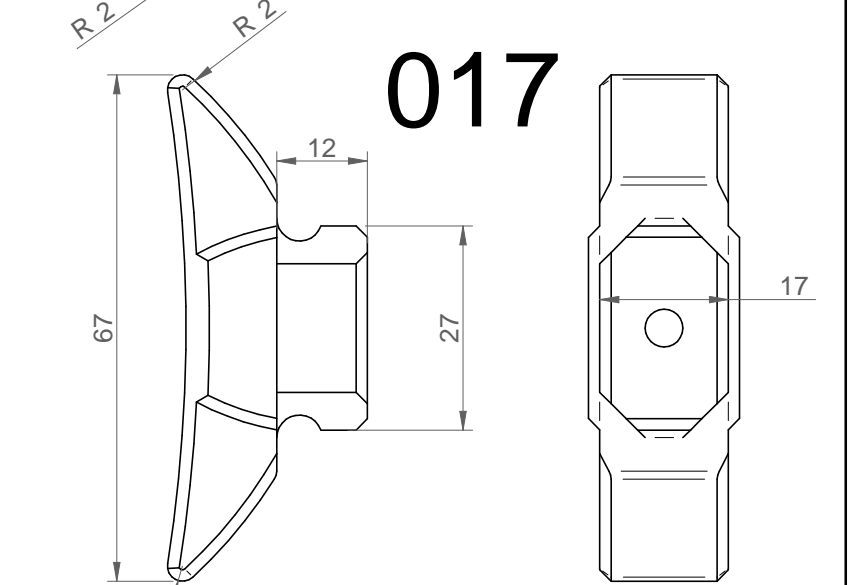
010



012



015



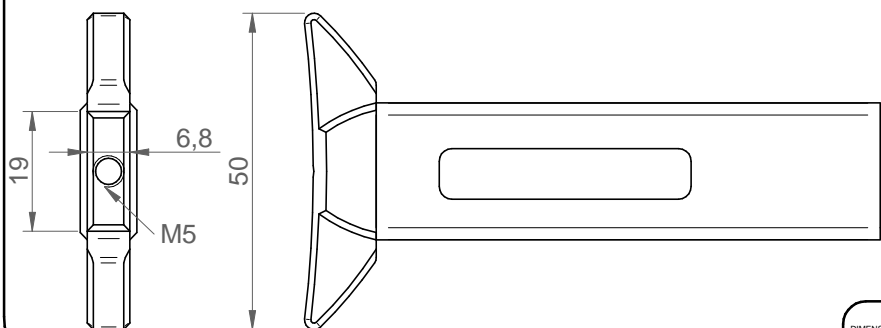
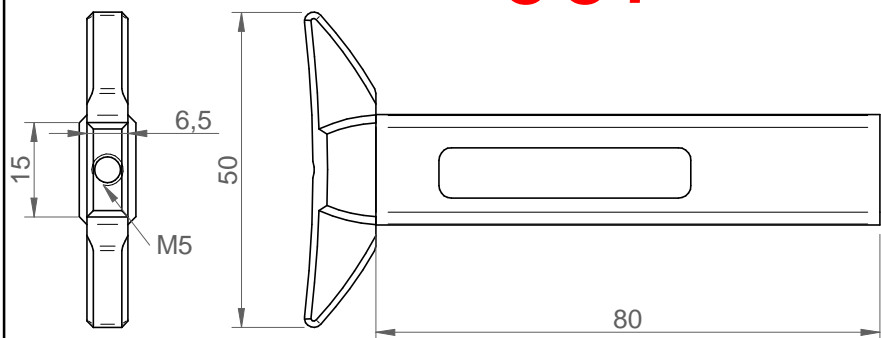
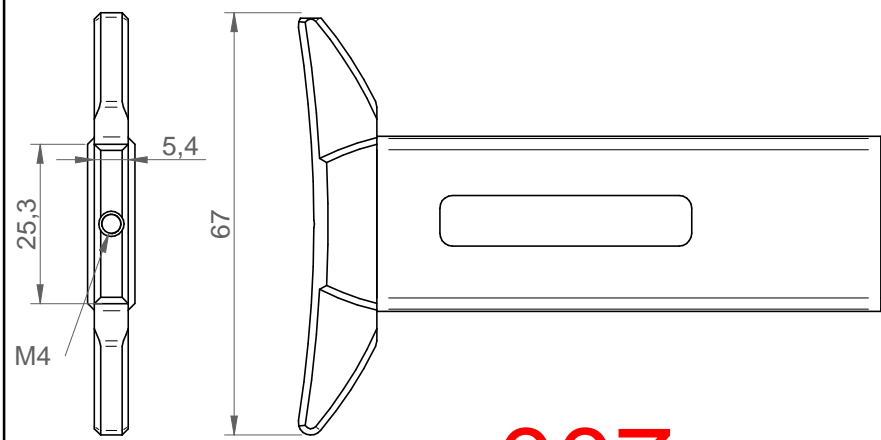
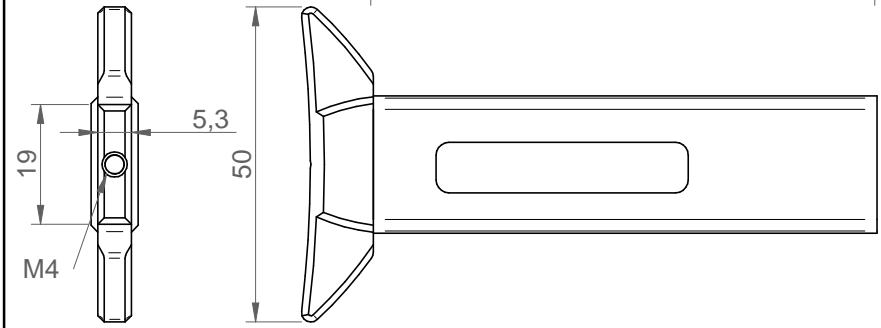
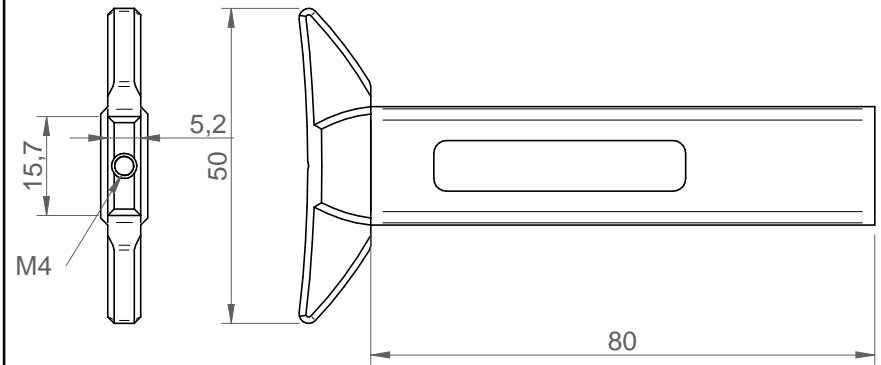
017



PART.	
DISCRIPTION.	Heads
TITLE.	RSLT - Redesign

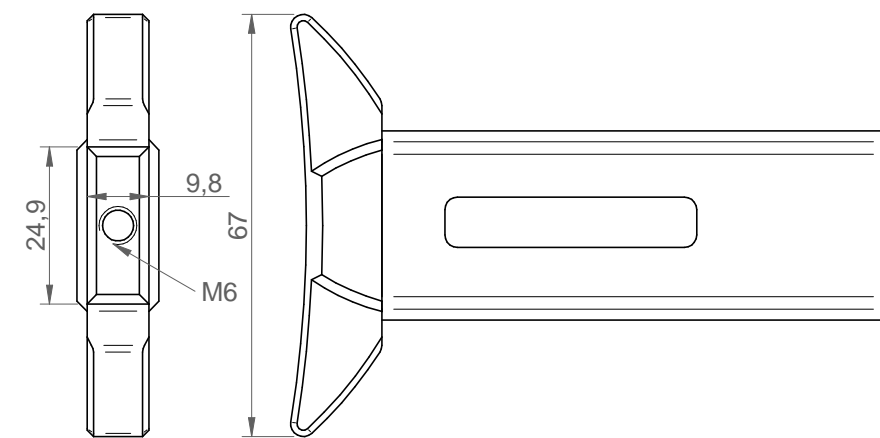
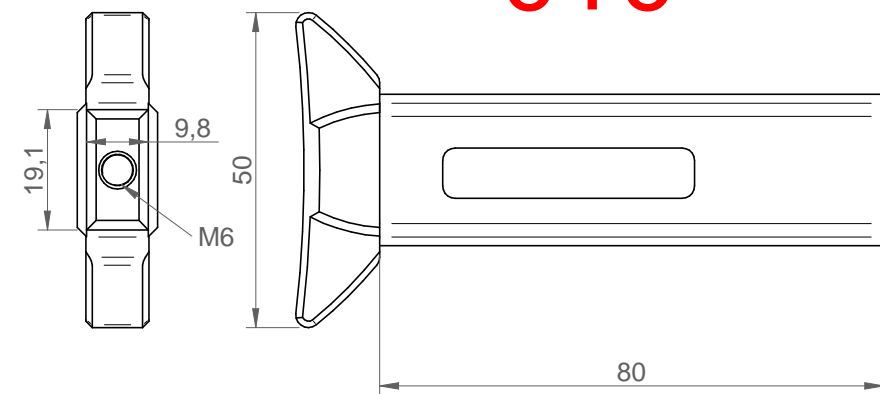
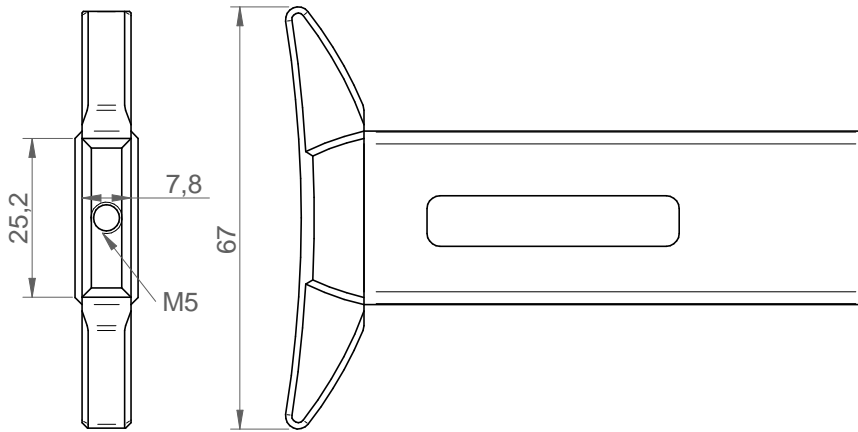
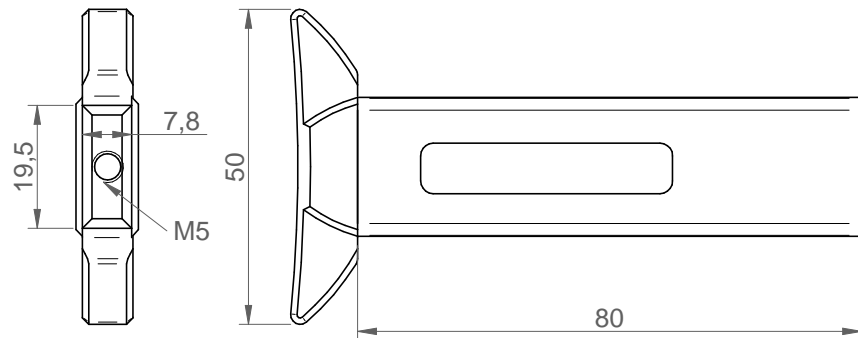
<small>DIMENSIONS ARE IN MILLIMETERS 0.1 = ±0.1 0.01 = ±0.01 ANGLES = ±0.1°</small>	<small>C-Tech reserve all rights in this document and in the information contained therein. Reproduction, use or disclosure to third parties without express authority is strictly forbidden.</small>	REV	DESCRIPTION	DATE	APPROVED	DRAWN	DWG NO.	SHEET 1 of 2	
		A	Released	14/10/19		TM	SCALE: 1:1	SHEET SIZE: A3	Project No.:

005



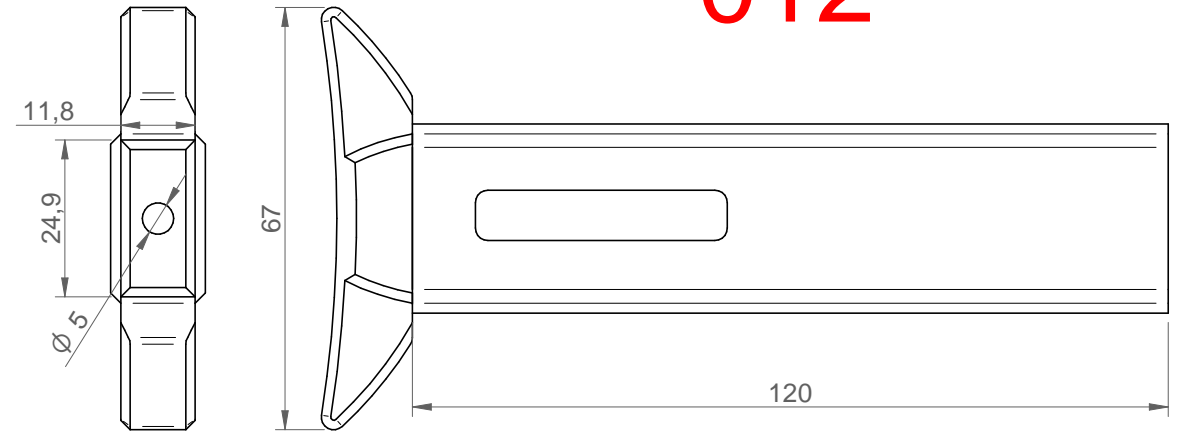
007

008

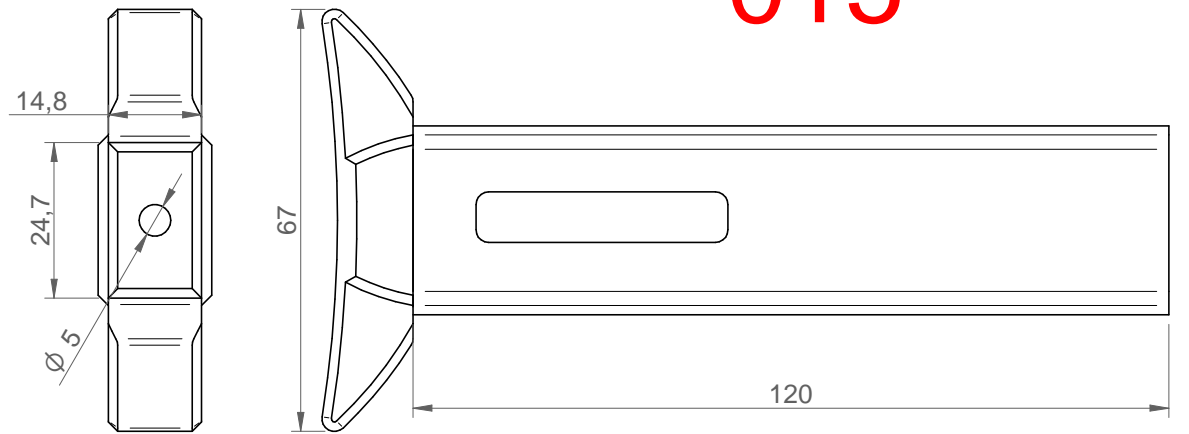


010

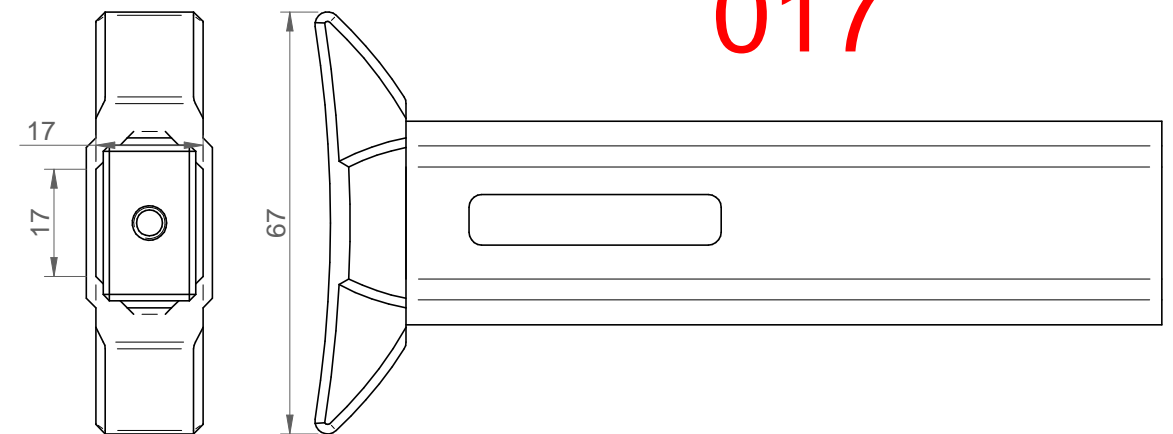
012



015



017



PART.			
DISCRIPTION.		Assy	
TITLE.		RSLT - Redesign	
DWG NO.		APPROVED	DRAWN
SCALE: 1:1	SHEET SIZE: A3		TM
SHEET 2 of 2		Project No.:	

DIMENSIONS ARE IN MILLIMETERS
 0.1 = ±0.1
 0.01 = ±0.01
 ANGLES = ±0.1°

C-Tech reserve all rights in this document and in the information contained therein.
 Reproduction, use or disclosure to third parties without express authority is strictly forbidden.

REV	DESCRIPTION	DATE	APPROVED	DRAWN
A	Released	14/10/19		TM