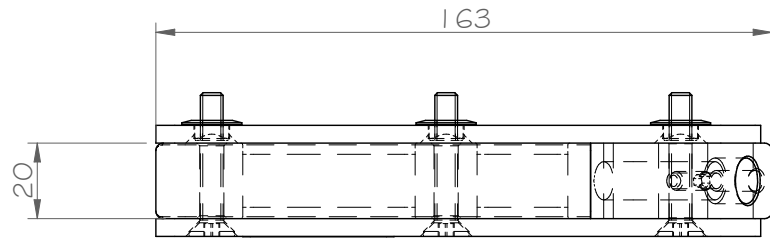
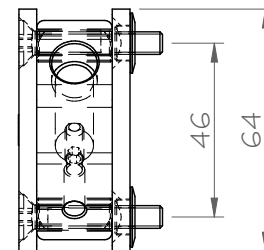
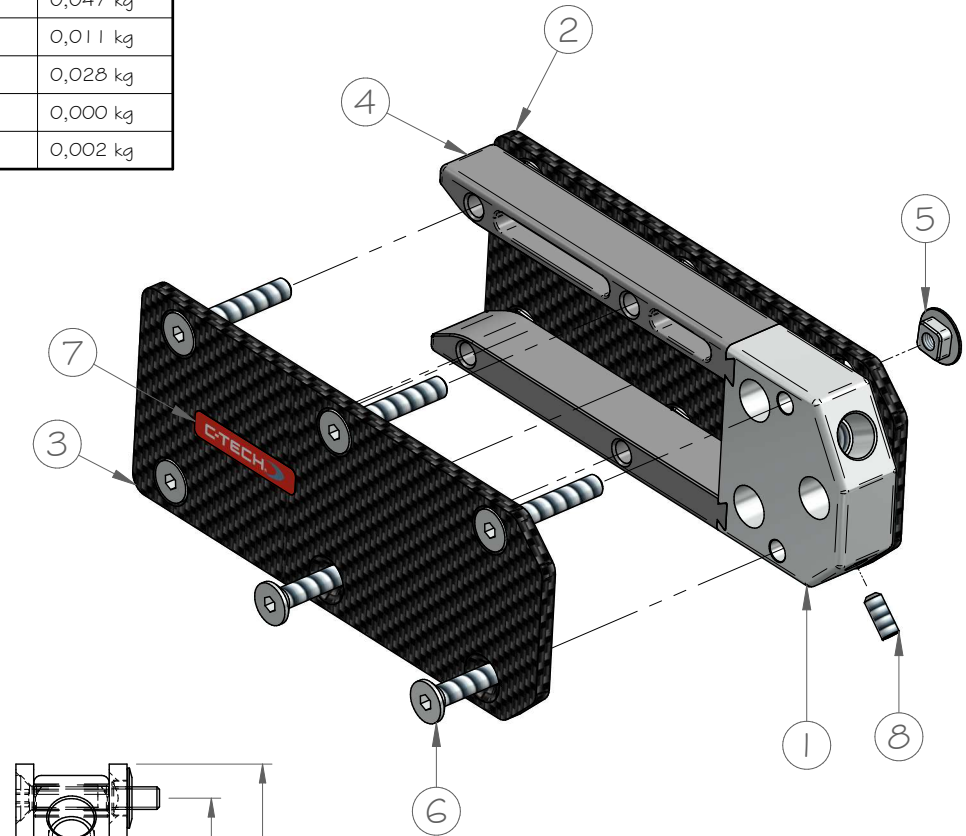
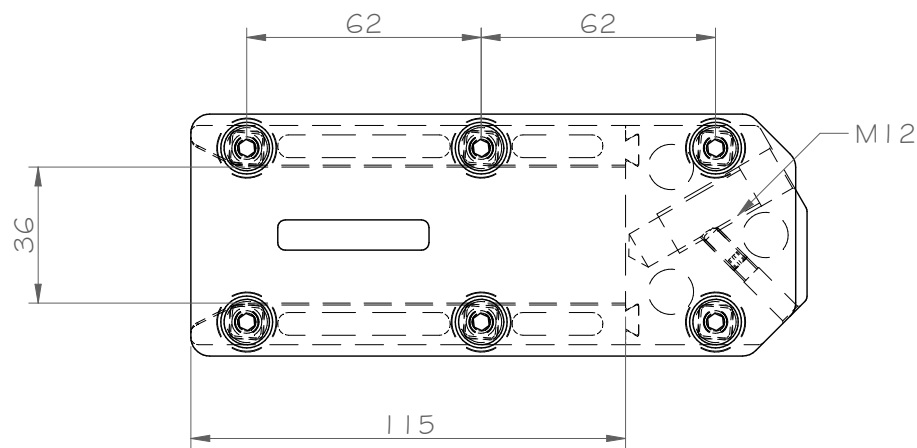


Item Number	Part Number	Description	Revision number	Material	Quantity	Mass (Quantity)
	01-0448	NTLR33A - M12	A			0,387 kg
1	01-0449	NTLR33A Ti Body M12	A	Ti, 6AL4V	1	0,162 kg
2	01-0100	LR33-Carbon-SideSqrHol-4-7mm	B	Carbon Plate	1	0,068 kg
3	01-0099	LR33-Carbon-SideRndHol-4-7mm	C	Carbon Plate	1	0,069 kg
4	01-0192	xTLR33-Acetal-Bodyleg	B	Acetal	2	0,047 kg
5	07-0005	Nut square 15.8 x M6 Ti	B	Ti, 6AL4V	6	0,011 kg
6	07-0059	Bolt CSK M6x36 Ti	B	Ti, 6AL4V	6	0,028 kg
7	07-0011	C-Tech Sticker 40x8	A	PVC	1	0,000 kg
8	07-0004	Grub Screw M5x12mm S5	A	Stainless Steel, 316	1	0,002 kg



TOP VIEW



C-TECH	
PART:	01-0448
DISCRIPTION:	NTLR33A - M12
TITLE:	Dimensions
DWG NO.:	01-0448
SHEET 1 of 1	
SCALE: 1:2	SHEET SIZE: A4
Project No.:	

REV	DESCRIPTION	DATE	DRAWN	APPROVED
A	Released	18/07/2019		TM

DIMENSIONS ARE IN MILLIMETERS
0+ = ±1
0.0- = ±0.1
0.00- = ±0.01
ANGLES = ±0.1°

C-Tech reserve all rights in this document and in the information contained therein. Reproduction, use or disclosure to third parties without express authority is strictly forbidden.