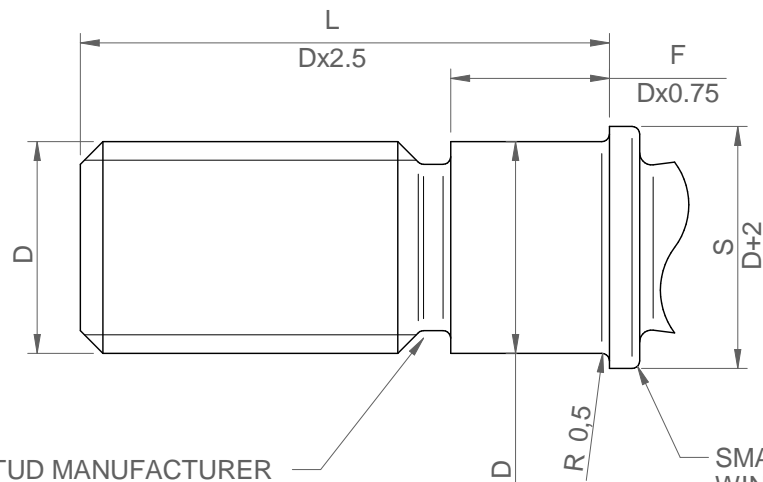


C-Tech and Harken have developed a new style stud and receptacle design that is more robust than the traditional system. It features an extended stud shoulder with a clearance fit so that the bending moment is moved away from the thread root diameter.

The design also ensures the load is consistent regardless of receptacle rotation, especially on upper battens where receptacles rotate on the studs through tacks and gybes. Only C-Tech receptacles are compatible with both high-load and standard Harken studs.



Stud geometry

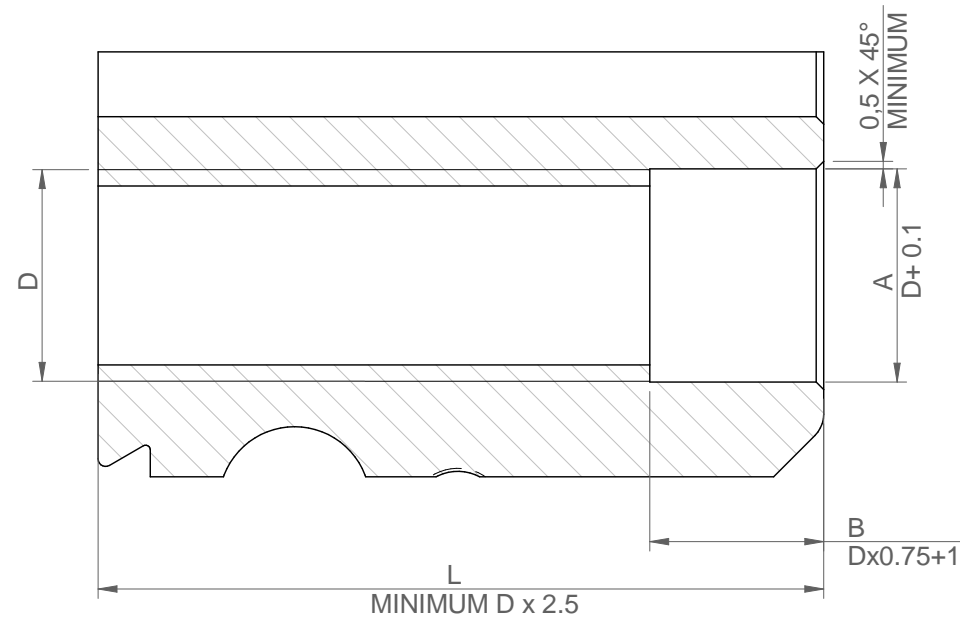


STUD DIMS				
	D	L	F	S
M10	10	25	7.5	12
M12	12	30	9	14
M14	14	35	10.5	16
M16	16	40	12	18
M18	18	45	13.5	20
M20	20	50	15	22

FOR STUD MANUFACTURER TO DETAIL AS NEEDED

SMALL SHOULDER TO STOP WINDING IN TO FAR.

Receptacle geometry



RECEPTACLE DIMS				
	D	L	A	B
M10	10	25	10.1	8.5
M12	12	30	12.1	10
M14	14	35	14.1	11.5
M16	16	40	16.1	13
M18	18	45	18.1	14.5
M20	20	50	20.1	16

NOTES;

ALL SURFACES THAT INTERACT BETWEEN STUD AND RECEPTACLE TO BE DEFINED IN THE STANDARD. ALL SURFACES NOT IN DIRECT INTERACTION CAN BE DEFINED BY EACH MANUFACTURER AS REQUIRED.

DIMENSIONS ARE IN MILLIMETERS
0.1 = ±0.1
0.01 = ±0.01
ANGLES = ±0.1°

C-Tech reserve all rights in this document and in the information contained therein. Reproduction, use or disclosure to third parties without express authority is strictly forbidden.

REV	DESCRIPTION	DATE	APPROVED	DRAWN
F	Related Products added	04/12/19	AV	TM

Stud Manufacturer references

Specifically designed for C-Tech products

Product	Reference
27mm CB Battcar - M12 Stud for C-Tech Batten	3893
32mm CB Battcar - M12 Stud for C-Tech Batten	3890
32mm CB Battcar - M14 Stud for C-Tech Batten	3891
32mm CB Battcar - M16 Stud For C-Tech Batten	3945
18mm Switch Battcar - M12 Stud for C-Tech Batten	3892
26mm switch Battcar - M12 Stud for C-Tech Batten	3894
26mm switch CRX Battcar - M12 Stud for C-Tech Batten	3895
32mm switch Battcar - M12 Stud for C-Tech Batten	3896
32mm switch Battcar - M14 Stud for C-Tech Batten	3897



Compatible products

RONSTAN	S6, S14 Ballslide Threaded Stud M10	RC00110
	S8, S22 Ballslide Threaded Stud M10	RC00111
	S19 Ballslide Threaded Stud M10	RC00112
	S19 Ball Ø11.5 Threaded Stud M10	RC00210
	S8 BallSlide Ball Ø13.0 Threaded Stud M10	RC00211
	S22, S26 Ball Ø15.4 Threaded Stud M10	RC00212
	S26, S30 Ball Ø15.4 Threaded Stud M12	RC00213
S42 Ball Ø19.8 Threaded Stud M14	RC00214	



antal	Slider with joint #139 - Threaded Stud M10	HS22.40J
	Slider with joint #140 - Threaded Stud M10	HS22.50J/R
	Slider with joint #140 - Threaded Stud M12	HS22.70J/R
	Slider with joint #141 - Threaded Stud M12	HS22.60J/R
	Slider with joint #141 - Threaded Stud M12	HS22.90J/R
	Slider with joint #142 - Threaded Stud M10	HS24.50J
	Slider with joint #143 - Threaded Stud M12	HS24.60J
	Slider with joint #144 - Threaded Stud M14	HS24.70J
	Slider with joint #145 - Threaded Stud M14	HS30.110J
	Slider with joint #145 - Threaded Stud M14	HS30.90J
	Slider with joint #146 - Threaded Stud M16	HS30.130J
	Slider with joint #148 - Threaded Stud M10	FB24.60J
	Slider with joint #149 - Threaded Stud M12	FB24.90J
	Slider with joint #150 - Threaded Stud M14	FB29.150J
	Slider with joint #150 - Threaded Stud M14	FB29.190J



Karver	Batten car KMS 30
	Batten car KMS 40
	Batten car KMS 60
	Batten car KMS 80
	Batten car KMS 100



C-TECH

PART. **B-1001**

DISCRIPTION **C-Tech / Harken Studs**

TITLE **Batten Car Stud Standard**

DWG NO. **B-1001**

SHEET 3 of 3

SCALE: 1:4

SHEET SIZE: **A3**

Project No.: