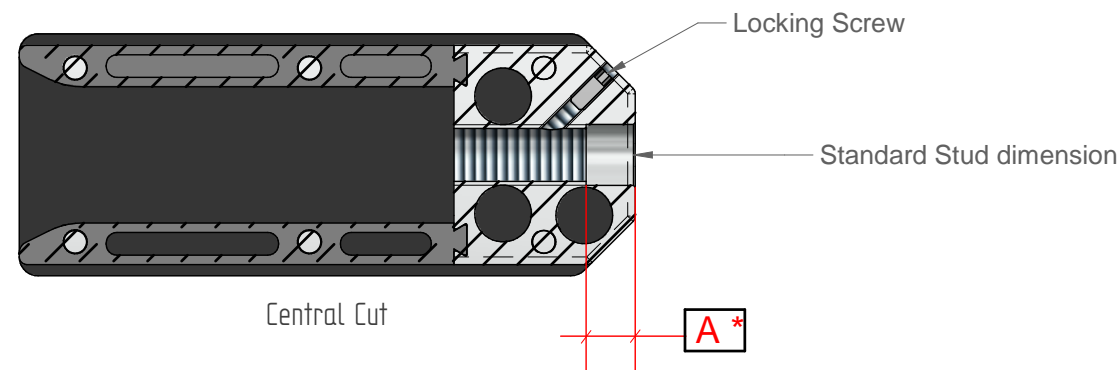


Internal System



NTLR / NPLR Counter bore dimensions

Model	Stud Thread	C'Bore Depth (*A)
NPLR22	M10 x 1.5	8.5
NTLR22	M12 x 1.75	10
NTLR33	M12 x 1.75	10
NTLR33	M14 x 2	11.5
NTLR33	M16 x 2	13
NTLR36	M14 x 2	11.5
NTLR36	M16 x 2	13
NTLR36	M18 x 2	14.5



PART. _____
 DISCRIPTION. **General Dimensions**
 TITLE. **NTLR / NPLR - Full Range**

<small>DIMENSIONS ARE IN MILLIMETERS 0.0 = ±0.1 0.00 = ±0.01 ANGLES = ±0.1°</small>	<small>C-Tech reserve all rights in this document and in the information contained therein. Reproduction, use or disclosure to third parties without express authority is strictly forbidden.</small>	REV	DESCRIPTION	DATE	APPROVED	DRAWN	DWG NO.	SHEET 1 of 1	
		A	Released	15/06/20		TM	SCALE: 1:2	SHEET SIZE: A3	Project No.: