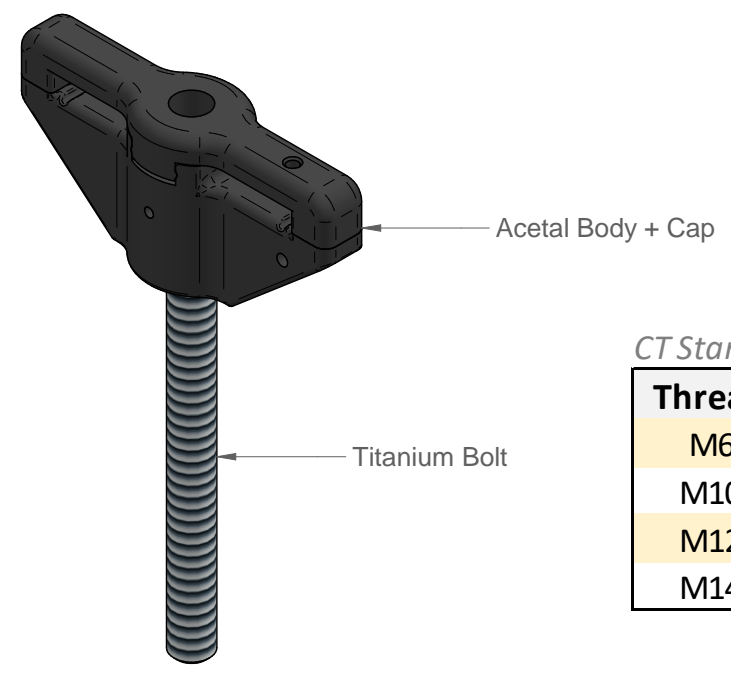
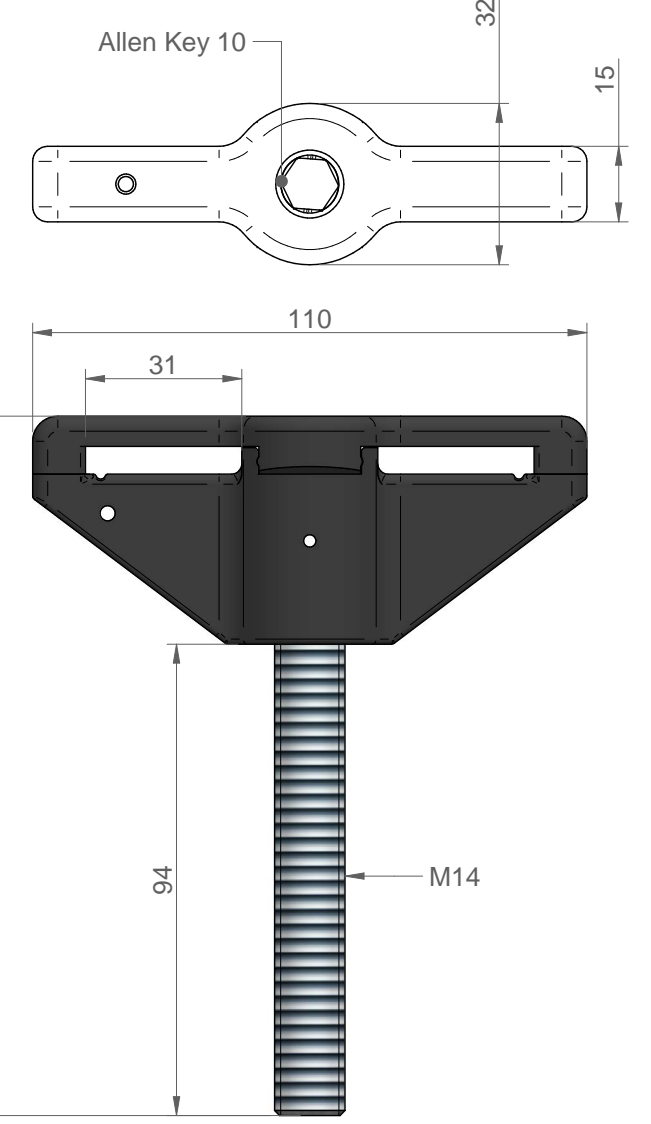
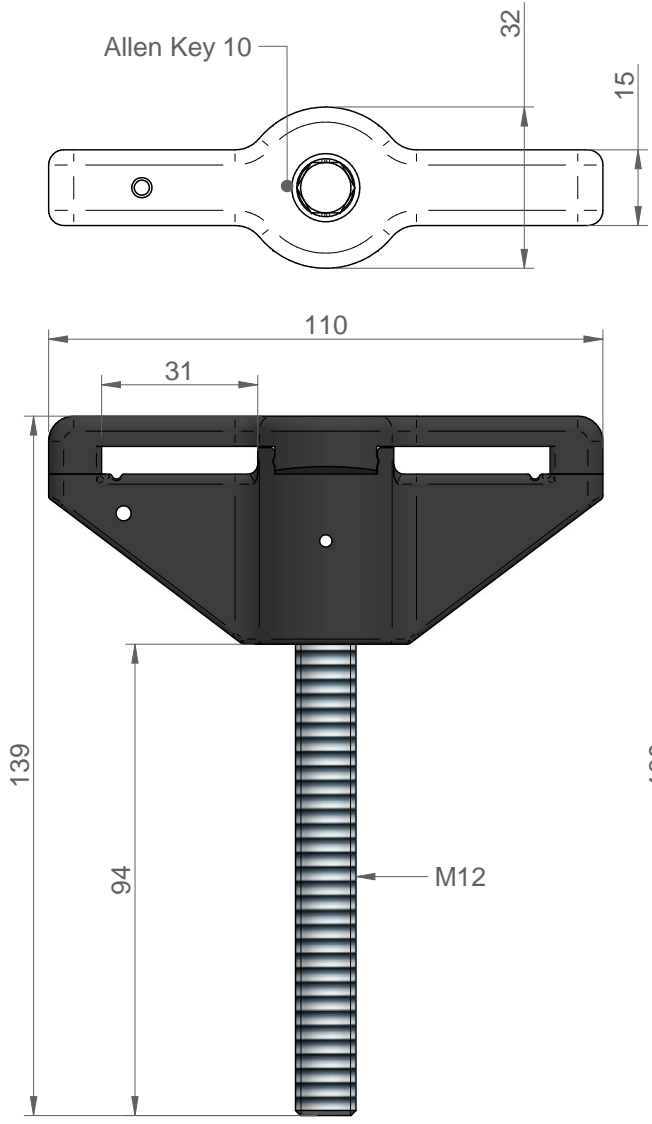
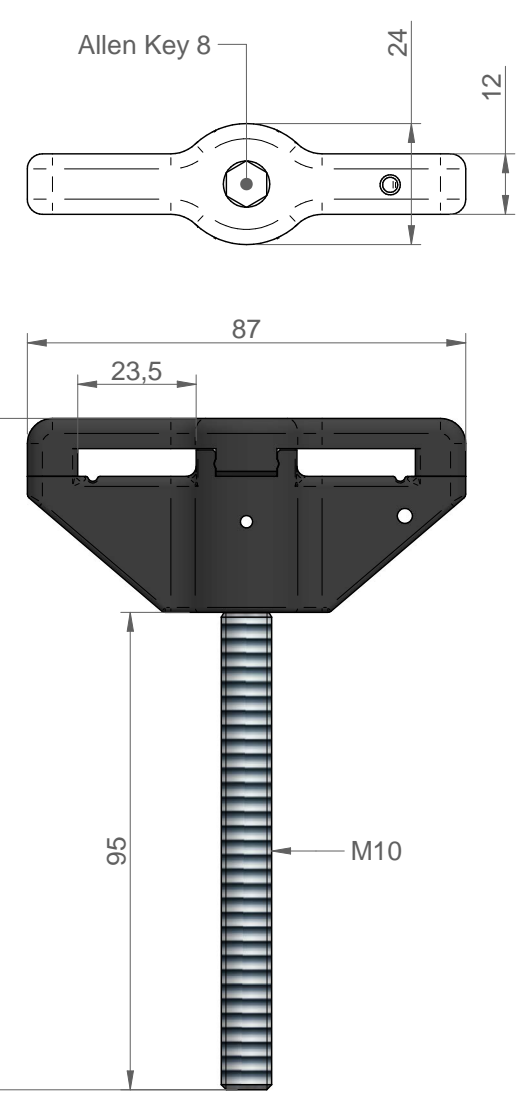
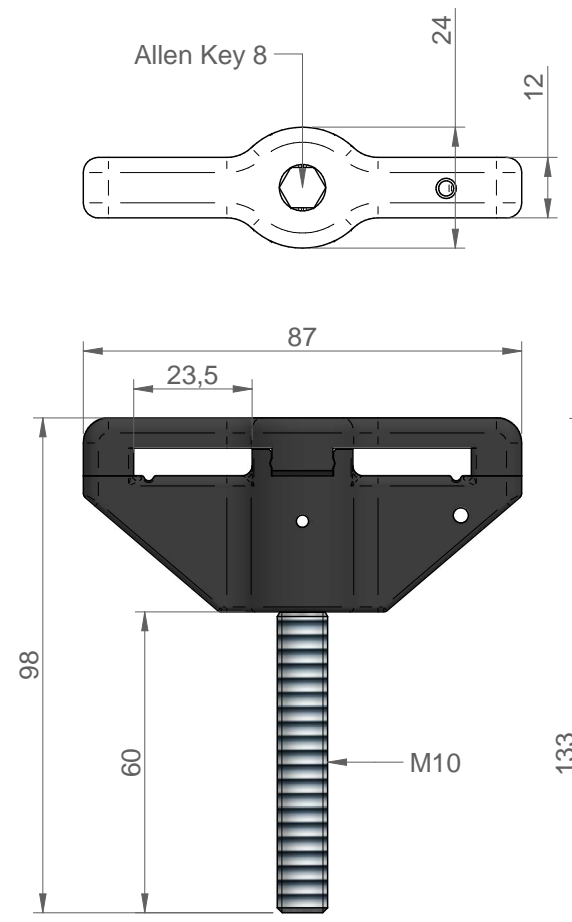
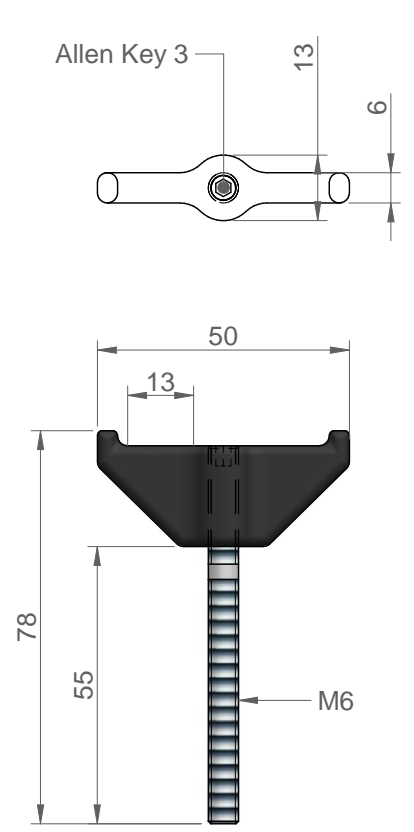


FTLT22

FTLTK33

FTLTK36



CT Standard Threads

Thread	Pitch
M6	1
M10	1.5
M12	1.75
M14	2



PART.	
DISCRIPTION. General Dimensions	
TITLE. FTLT - Full Range	
DWG NO.	SHEET 1 of 1
SCALE: 1:1	Project No.:

<small>DIMENSIONS ARE IN MILLIMETERS 0.0 = ±0.1 0.00 = ±0.01 ANGLES = ±0.1°</small>	<small>C-Tech reserve all rights in this document and in the information contained therein. Reproduction, use or disclosure to third parties without express authority is strictly forbidden.</small>	REV	DESCRIPTION	DATE	APPROVED	DRAWN
		A	Released	15/06/20		TM