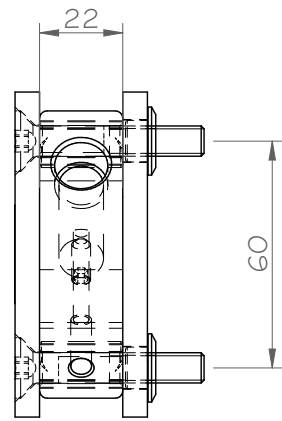
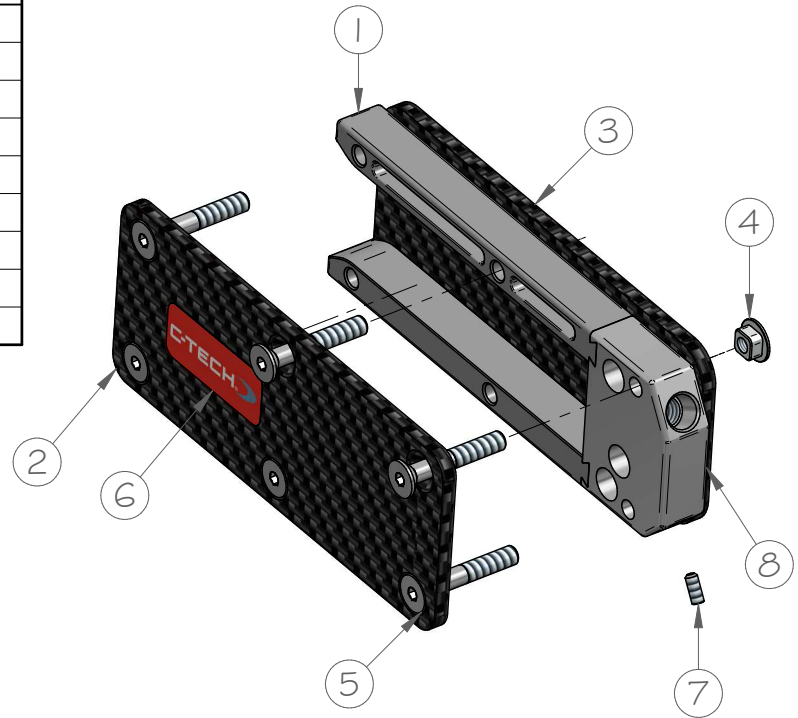
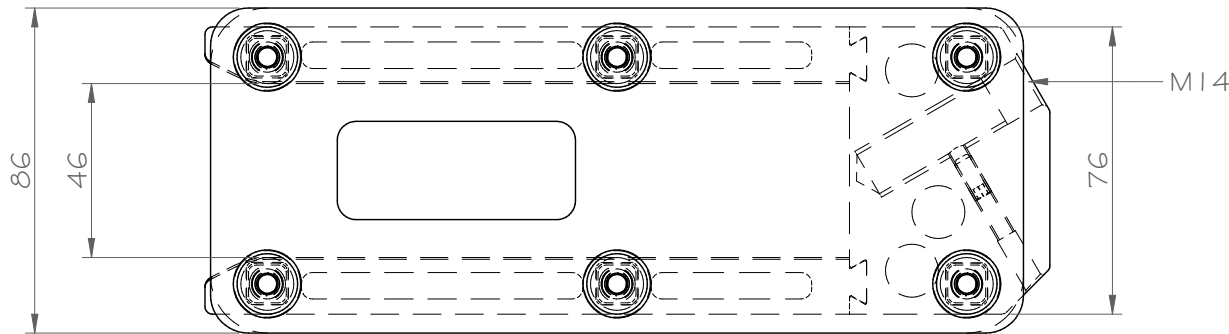
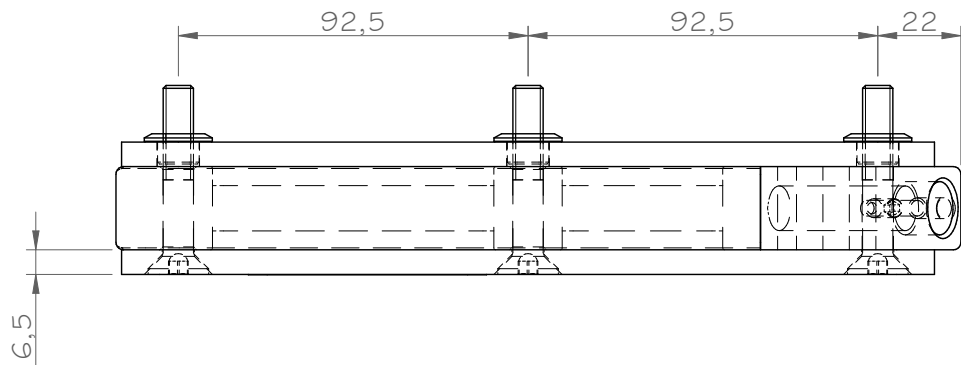


Item Number	Part Number	Description	Revision number	Material	Quantity	Mass (Quantity)
	01-0450		A			0,850 kg
1	01-0239	xTLR36-Acetal-Bodyleg	A	Acetal	2	0,114 kg
2	01-0310	LR36-Carbon-SideRndHole-6.5	B	Carbon Plate	1	0,184 kg
3	01-0311	LR36-Carbon-SideSqrHole-6.5	A	Carbon Plate	1	0,182 kg
4	07-0014	Nut Titanium Square Insert M8	A	Ti, GAL4V	6	0,024 kg
5	07-0058	Bolt CSK M8x50 Ti	A	Ti, GAL4V	6	0,077 kg
6	07-0007	C-Tech Sticker 63x26	A	PVC	1	0,000 kg
7	07-0004	Grub Screw M5x12mm SS	A	Stainless Steel, 316	1	0,002 kg
8	01-0451	NTLR36TA Ti-Body M14	A	Ti, GAL4V	1	0,268 kg



FRONT VIEW

C-TECH

PART: 01-0450
 DESCRIPTION: NTLR36TA - M14
 TITLE: Dimensions

DWG NO. 01-0450	SHEET 1 of 1
SCALE: 1:2	SHEET SIZE: A4
Project No.:	

REV	DESCRIPTION	DATE	DRAWN	APPROVED
A	Released	23/07/2019		TM

DIMENSIONS ARE IN MILLIMETERS
 0 = ±1
 0.0 = ±0.1
 0.00 = ±0.01
 ANGLES = ±0.1°

C-Tech reserve all rights in this document and in the information contained therein. Reproduction, use or disclosure to third parties without express authority is strictly forbidden.