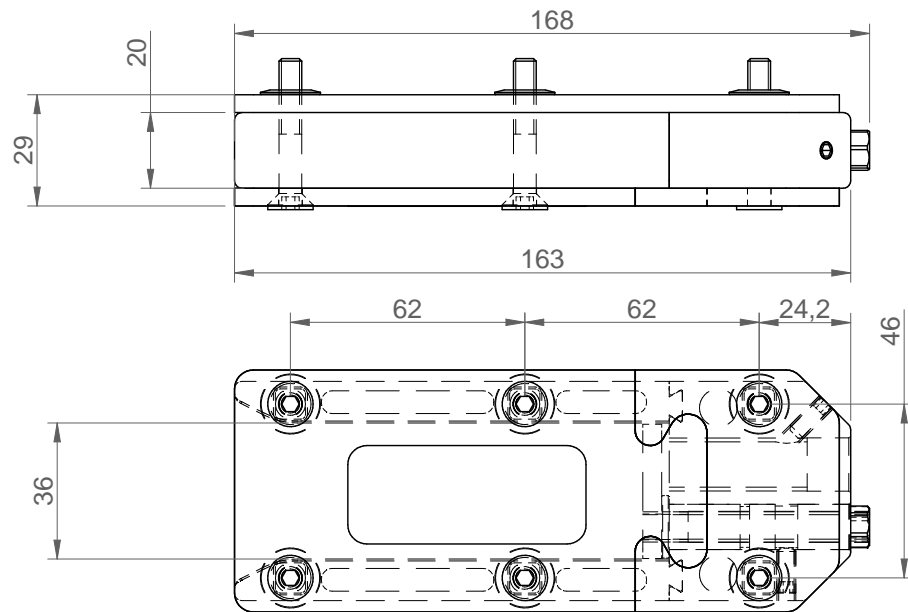
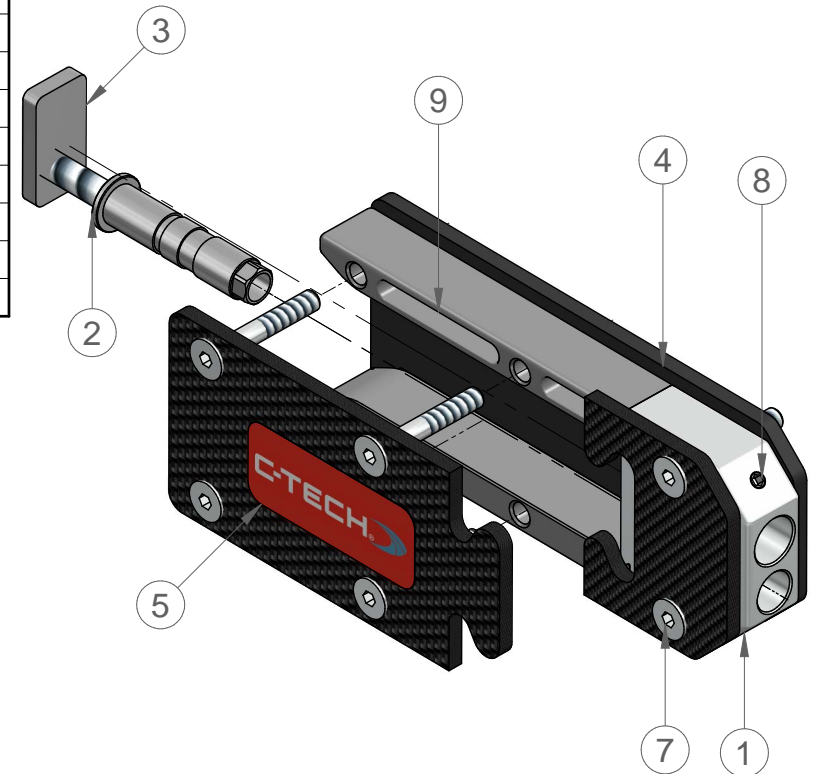
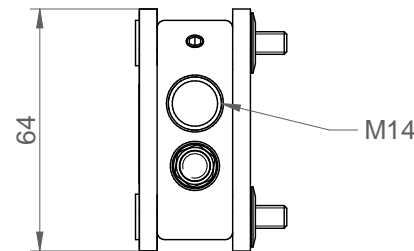


Item Number	Part Number	Description	Revision number	Material	Quantity	Mass (Quantity)
1	01-0095	ATLR33-Ti-Body-M14	G	Ti, 6AL4V	1	0.153 kg
2	01-0096	AxLR33-SS-External Adjuster	B	Stainless Steel, 316	1	0.027 kg
3	01-0093	AxLR33-SS-Pusher Weldment	B		1	0.049 kg
4	01-0100	LR33-Carbon-SideSqrHol-4-7mm	B	Carbon Plate	1	0.069 kg
5	07-0007	C-Tech Sticker 63x26	A	PVC	1	0.000 kg
6*	07-0005	Nut square 15.8 x M6 Ti	B	Ti, 6AL4V	6	0.011 kg
7	07-0006	Bolt CSK M6x40 Ti	B	Ti, 6AL4V	6	0.034 kg
8	07-0004	Grub Screw M5x12mm SS	A	Stainless Steel, 316	2	0.003 kg
9	01-0192	xTLR33-Acetal-Bodyleg	B	Acetal	2	0.047 kg
10*	01-0494	01-0493 LR33-Carbon Side Plate-Opening	A	Carbon Plate	1	0.071 kg



TOP VIEW



<b>C-TECH</b> ®	
PART:	01-0493
DISCRIPTION:	ACLR33 M14 - Lateral Opening
TITLE:	Assembly
DWG NO. 01-0493	SHEET 1 of 1
SCALE: 1:2	Project No.: ACLR33

DIMENSIONS ARE IN MILLIMETERS 0.1 0.05 0.02 0.01 ANGLES = ±0.1°	C-Tech reserve all rights in this document and in the information contained therein. Reproduction, use or disclosure to third parties without express authority is strictly forbidden.
--	---

REV	DESCRIPTION	DATE	DRAWN	APPROVED	DWG NO.	SHEET	Project No.
A	Released	16/06/2020	PF	CK	01-0493	1 of 1	ACLR33